

About the product

Installed underneath your non-conducting surface (Note the max. surface thickness of 30mm), the Loxone Touch Surface gives you the possibility to control your smart home using the Loxone switch standard.

To prevent accidental use, there is an activation button. Upon touching this button, the five touch points of the switch are activated for 5 seconds, and the remaining time will be displayed through the activation indicator. If the activation function is not needed, the activation button can be reconfigured as necessary in Loxone Config.

Features

- Loxone Switch Standard
- Accidental operation protection
- LED activation indicator

Installation

Installation without activation indicators

If you would prefer not to install the light pipes or mark the surface at all you can use the provided decal to show the touch points.

Mount the Touch Surface to the underside of the surface. Once powered up, learn-in and configure the Touch Surface using Loxone Config.

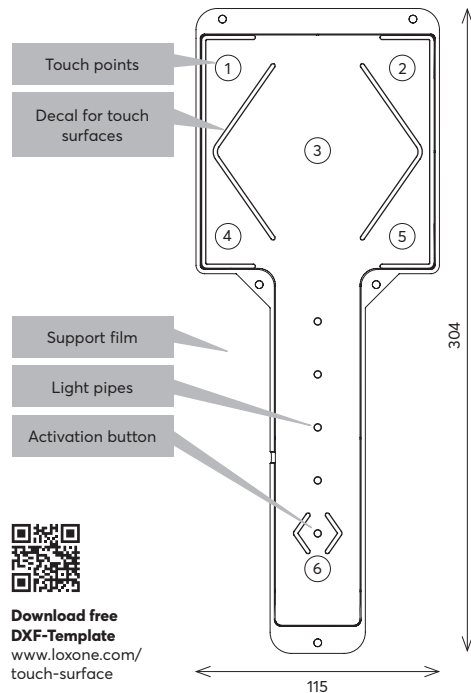
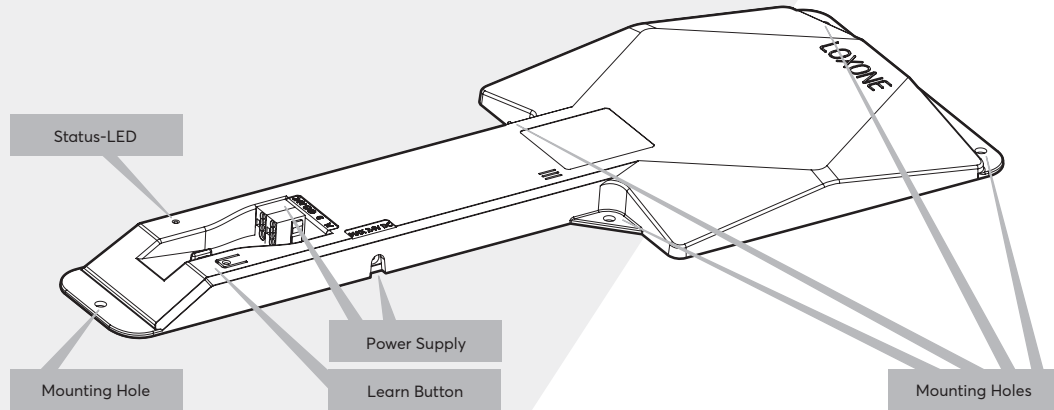
Installation with activation indicators

Prepare the surface on which the Touch Surface is to be installed by drilling 5 holes for the LED indicator lights and marking the touch points (We strongly recommend that the holes are drilled by a professional to avoid damage to the surface).

The activation indicator lights need to be installed on the Touch Surface prior to mounting it.

Mount the Touch Surface to the underside of the surface. To seal the holes for the activation indicator lights, use a transparent epoxy resin. It is important to ensure that no dirt or grit is present in the holes or on the underside of the mounting surface prior to using the resin. When applying the resin ensure that no air bubbles are created.

Once powered up, learn-in and configure the Touch Surface using Loxone Config.



Download free
DXF-Template
[www.loxone.com/
touch-surface](http://www.loxone.com/touch-surface)



For additional information, declaration of conformity, visit www.loxone.com/help/touch-surface-air