

## Technical Specifications

<b>Power Supply</b>	4.4 ... 5VDC via Micro USB 2.0 Type B
<b>Power Consumption</b>	typ. 0.94W, max. 2.65W
<b>Total Power Loss</b>	max. 2.65W
<b>Safety Rating</b>	IP20
<b>Ambient Temperature</b>	0...40°C / 32...104°F
<b>Humidity</b>	max. 95% r. H. (non condensing)
<b>Radio Frequency</b>	868MHz (SRD Band Europe), 915MHz (ISM Band Region 2) max. Power 3.16mW
<b>Dimensions</b>	90x90x20mm / 3.54x3.54x0.79" (LxWxH)
<b>Maintenance and Cleaning</b>	The device is free of maintenance and may only be cleaned with a dry cloth.

# LOXONE

# LOXONE

## Need Help?

[loxone.com/support](https://loxone.com/support)

## Miniserver Go

Loxone Electronics GmbH  
Smart Home 1  
4154 Kollerschlag  
Austria

[loxone.com](https://loxone.com)



V050819

Part No: 100336

## About the product

The Miniserver Go is a device for the automatic control and management of home automation and similar non safety critical applications. The Loxone Miniserver Go has a fully integrated Air Base Extension and is perfect for retrofitting Loxone in existing homes.

## Installation & electrical connection

Connect device only to the power supply that is shipped with the product. Do not connect the device to telecommunication networks.

If the unit is used in a non conform manner as specified by the manufacturer the product included safeguards will be impaired.

## Information

Contains FCC ID: 2ARRV-000375

This device complies with part 15 of the FCC Rules.

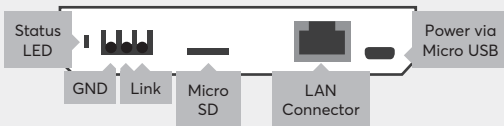
Operation is subject to the following two conditions:

1. This device may not cause harmful interference
2. This device must accept any interference received, including interference that may cause undesired operation

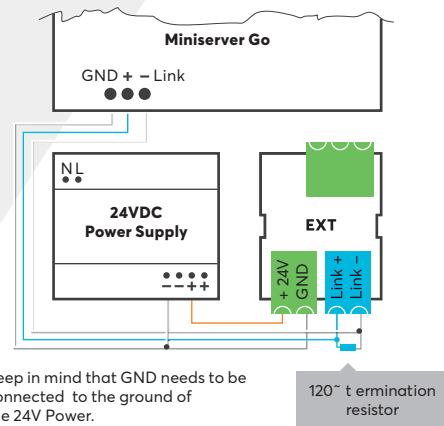
## Connection

<b>Wire Diameter</b>	0.2 ... 1.5mm <sup>2</sup> / AWG24 ... AWG16
<b>Exposed Wire Length</b>	8mm / 0.31"
<b>Push-In-Technology</b>	To make connection, insert wire; to remove the wire, twist and pull at the same time

## Specifications



## Connect Extension



This folder is a part of the product!



For additional information, declaration of conformity, visit [www.loxone.com/help/miniserver-go](http://www.loxone.com/help/miniserver-go)