



## About the product

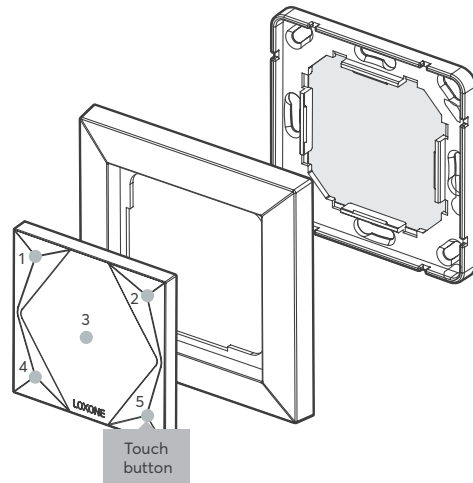
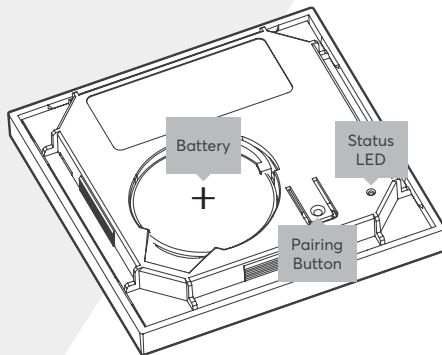
The Loxone Touch has five touch zones, which can be configured according to your needs. The large central touch zone is ideal for controlling lighting, whilst the corner zones are handy for controlling music and blinds.

## Features

- 5 touch buttons
- Temperature & humidity sensor
- Optional click feedback

## Installation

Install the mounting frame on the desired installation place. Power up the device with the provided battery and pair it with your Miniserver in Loxone Config. To finish the installation attach the Loxone Touch on the mounting frame.



This folder is a part of the product!



For additional information, declaration of conformity, visit [www.loxone.com/help/touch-air](http://www.loxone.com/help/touch-air)