

Supply & Power

Supply Voltage	18...26VDC
Power Consumption	1.5W (Standby) 35W (Peak)

Interfaces

Tree Turbo	Connection with Audioserver or Miniserver Compact
Master-Client Interface (MCI)	up to 20 speaker clients per Master up to 30m wire length between clients up to 600m total length Wiring: Twisted pair, Line topology
Wireless	Bluetooth: Input V4.2

Ambient Conditions

Temperature	-10...50°C / 14...122°F
Humidity	max. 100% r.H.
Ingress Protection	IP64

Connecting Terminals

	24VDC, Tree Turbo, MCI
Wire cross-section	0.28...1.5mm ² AWG23...15
Stripping length	6mm / 0.24"
Tightening torque	0.4 N.m / 0.295 lbf.ft

Audio Specifications

Speaker Type	2-Way active speaker
Class-D Amplifier	35W nominal power 70W peak power
Frequency Range	48...25000Hz
Crossover Frequency	1800Hz
SPL	101dB @1m max.
Woofer Ø	140mm / 5.5"
Tweeter Ø	25mm / 1"

Dimensions

Total HxWxD	216 x 150mm x 143mm / 8.5 x 5.9 x 5.6"
Weight	2.65kg

Contains **FCC ID: 2ACML-201850**
This device complies with part 15 of the FCC Rules.
Operation is subject to the following two conditions:
1. This device may not cause harmful interference.
2. This device must accept any interference received, including interference that may cause undesired operation.



For more information about this product, visit loxone.com/help/Sat64M

V130524

Loxone Electronics GmbH
Smart Home 1
4154 Kollerschlag
Austria

Loxone UK
The Forum
Station Road
Theale, RG7 4RA
United Kingdom



For additional information, declaration of conformity, visit www.loxone.com/datasheets

Need Help?
loxone.com/support



Satellite Speaker IP64 Master

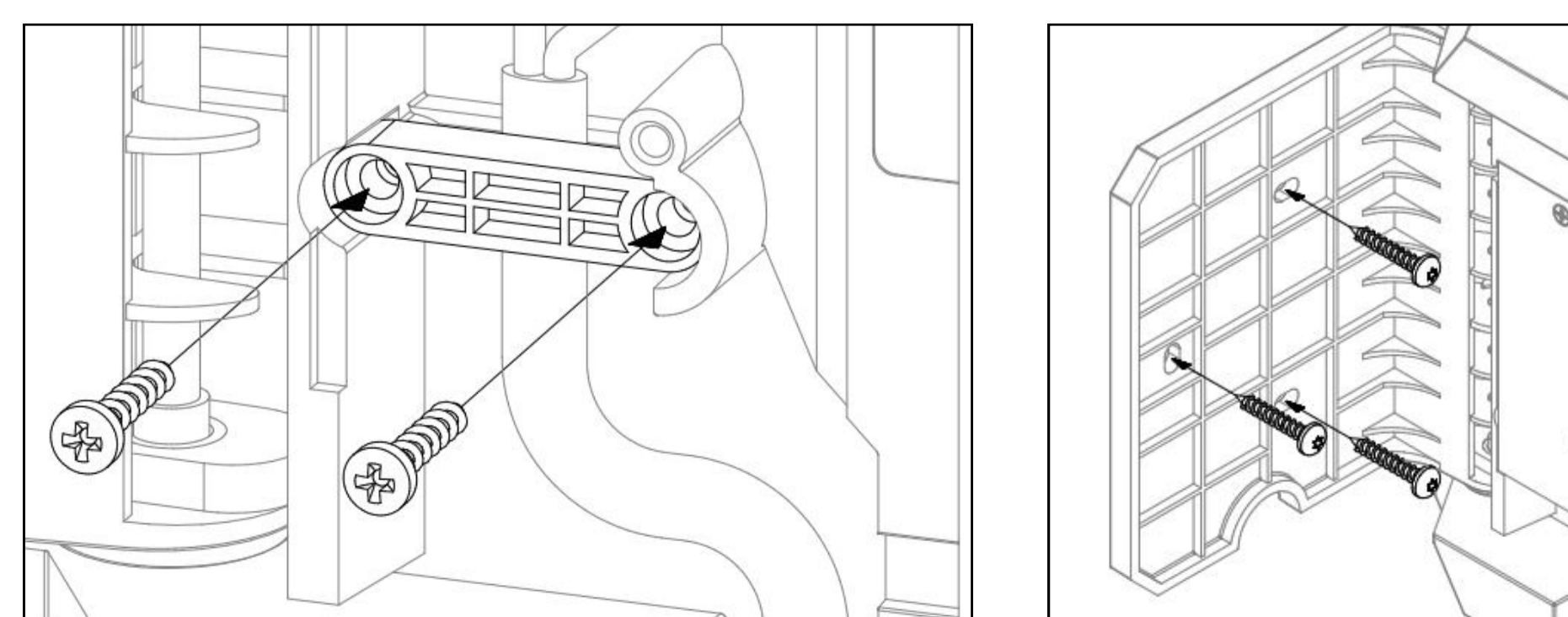
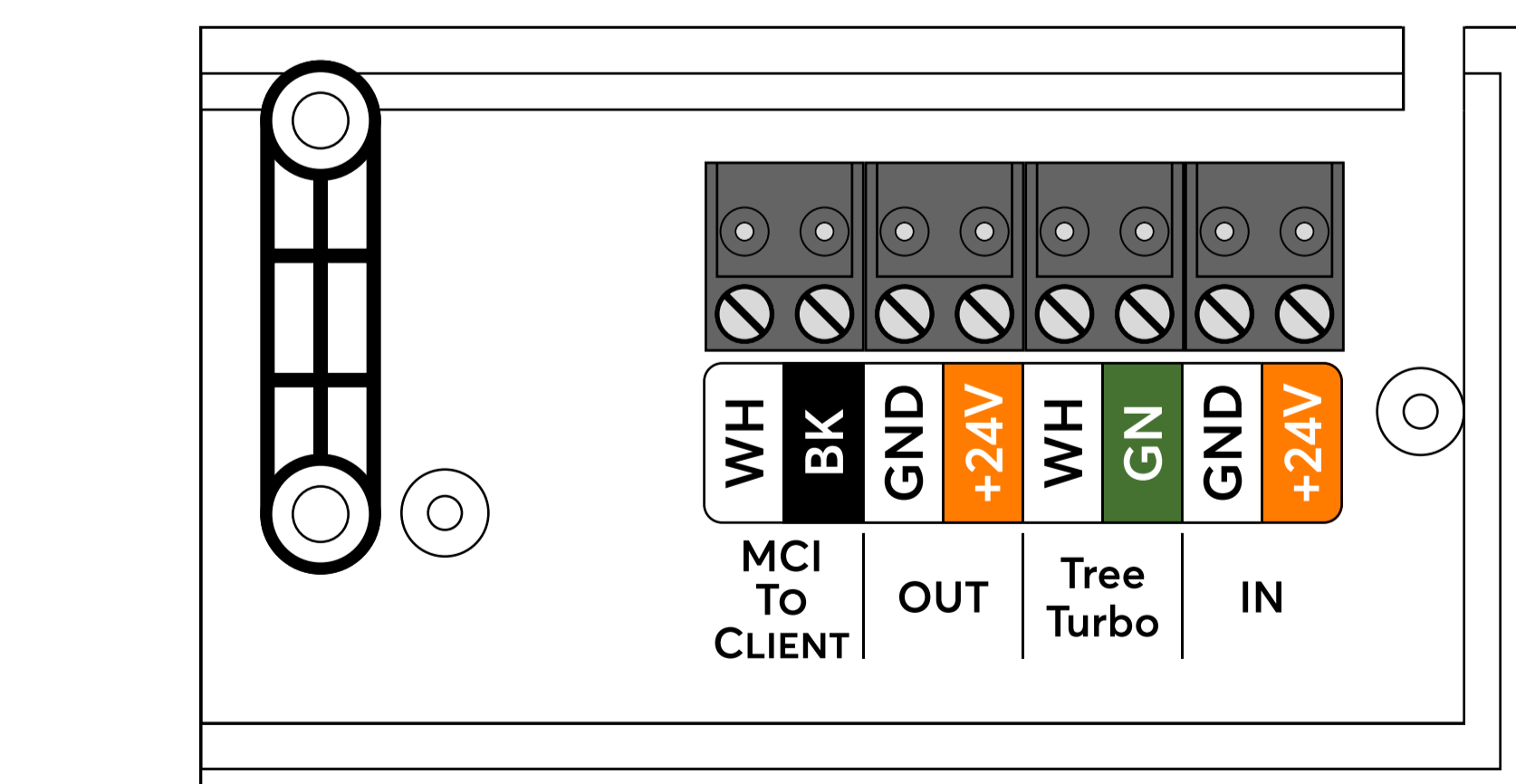
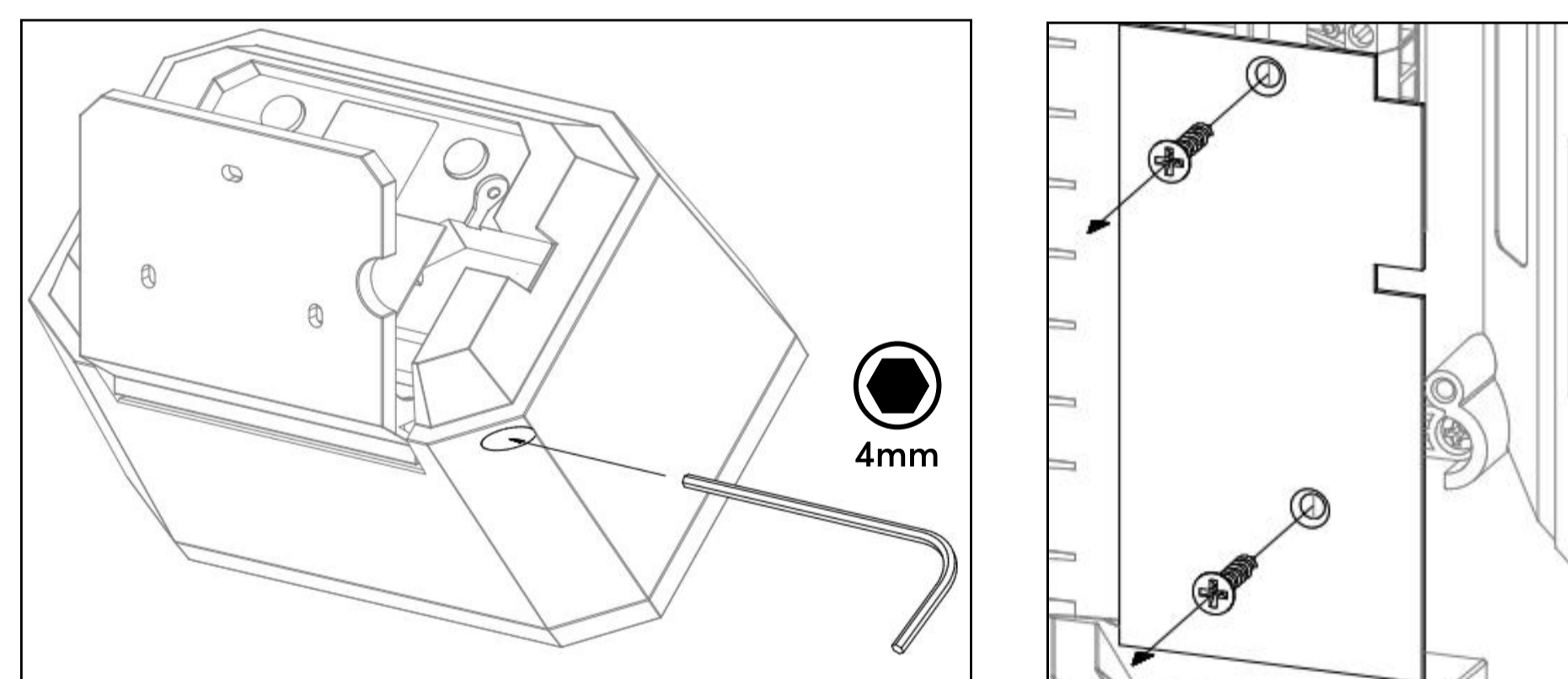
Part No.: 610156 (Black)
Part No.: 610168 (White)

About the product


The Satellite Speaker IP64 Master impresses with its outstanding audio qualities and its numerous possible use cases. It is connected directly via Tree Turbo to an Audioserver or Miniserver Compact and is able to transmit the audio signal to a chain of up to 20 client speakers. In this way, it forms a flexible audio solution scalable to any building size.

Features:

- Full integration into the Loxone System
- countless features like text-to-speech, doorbell, alarms, or audio notifications
- Music Streaming via Bluetooth



Safety Instructions

 Installation must be carried out by a qualified electrician in accordance with the applicable regulations. The device has to be fitted in accordance with building regulations for electrical and fire safety. The device is free of maintenance and must only be cleaned with a dry cloth. The device must not be used as part of safety-critical systems. When used outdoors, the speaker must be installed in a protected area.

Audioserver, MS Compact

