

Technical Specifications

Power supply	21.6 ... 25.2VDC
Power consumption	Warm white: max. 9.4W
Dimming range	0 ... 100%
Ambient temperature	0 ... 55°C / 32 ... 131°F
Humidity	max. 95% r.H. (non condensing)
PWM frequency	123 ... 200Hz
Energy efficiency (EU) 2017/1369	F
Colour temperature	typ. 3000k (warm white)
Luminous flux	typ. 804lm (warm white)
Colour rendering index (CRI)	min. 80
Beam angle	60°
Unified glare rating (UGR)	<19
Dimensions	D = 80mm, H = 70mm
Safety rating	IP20
Maintenance & Cleaning	This device is free of maintenance and may only be cleaned with a dry cloth.

LOXONE

LOXONE

Need Help?

loxone.com/support

LED Ceiling Spot WW

Loxone Electronics GmbH
Smart Home 1
4154 Kollerschlag
Austria

loxone.com

V010322



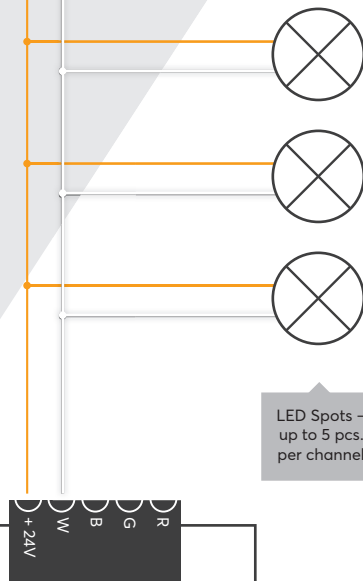
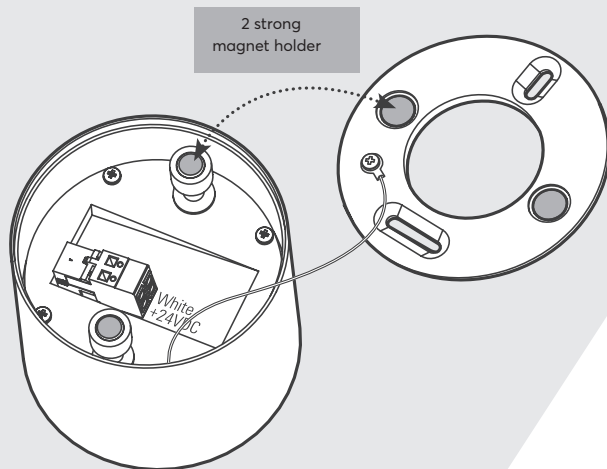
Part No: 100236 (White)
Part No: 100279 (Anthracite)

About the product

The Loxone LED Ceiling Spot WW is a downlight with warm white light output. It works best in combination with the Loxone RGBW 24V Dimmers. You can connect up to 5 Loxone LED Spot WW per channel (20 in total) with one Loxone 24V Dimmer.

Installation & electrical connection

The installation of this device has to be carried out by a qualified person. The device has to be fitted in accordance with building regulations for electrical and fire safety. If the device is not installed according to manufacturers guidelines the protection of the device may be affected.



This folder is a part of the product!
DRY LOCATIONS ONLY • POUR EMPLACEMENTS SECS SEULEMENT •
CLASS 2 INPUT ONLY • ENTRÉE DE CLASSE 2 UNIQUEMENT



For additional information, declaration of conformity, visit www.loxone.com/help/ledceilingspot

**RGBW 24V
Dimmer**