

Technical Specifications

Power supply	22 ... 25VDC
Power consumption	Standby: <150mW Red: 8W Green: 6.4W Blue: 4W Warm White: 19.7W max. 20.5W
Dimming range	0 ... 100%
Ambient temperature	-40 ... 55°C / -40 ... 131°F
Interface	Loxone Tree: connection with Miniserver / Tree Extension
Humidity	max. 95% r.H. (non condensing)
PWM frequency	200Hz
Energy efficiency (EU) 2017/1369	G
Motion detection	passive infrared sensor
Motion detection range	8m / 26.25ft (at height of 3m / 9.84ft)
Measuring range of brightness sensor	0.045 ... 188000lx

Detection angle vertical	110°
Detection angle horizontal	360°
Colour temperature	typ. 3000k (warm white)
Luminous flux	typ. 1350lm (warm white)
Colour rendering index (CRI)	min. 90, (R9 min. 50)
Beam angle	120°
Unified glare rating (UGR)	<19
Safety rating	IP20
Certifications	<ul style="list-style-type: none">• UL 1598, CSA C22.2• Fire Rated UL263 & BS 476-20 60 mins• IC Rated• California Title 24• JA8-2016 compliant
Dimensions	D: 298mm / 11.73" H: 50mm / 2"
Maintenance & Cleaning	This device is free of maintenance and may only be cleaned with a dry cloth.

LOXONE

LOXONE

Need Help?

loxone.com/support



LED Ceiling Light RGBW Tree

Loxone Electronics GmbH
Smart Home 1
4154 Kollerschlag
Austria

V010372



loxone.com

Part No: 100377 (White)
Part No: 100378 (Anthracite)

About the product

The Loxone LED Ceiling Light RGBW Tree is a downlight with RGB and WW light outputs. The luminaire comes with a brightness and motion sensor. The luminaire is energy saving because of newest LED technology.

Features

- RGBW light outputs
- Motion sensor
- Brightness sensor
- Tree technology

Installation

The installation of this device has to be carried out by a qualified person. The device has to be fitted in accordance with building regulations for electrical and fire safety. If the device is not installed according to manufacturer's guidelines the protection of the device may be affected. Connect power to the device, once powered pair the device in the easy usual way using Loxone Config.

The Luminair holds with three strong magnets on the iron ceiling plate. The magnets have to be placed in the flat area of the ceiling plate. Take care to not clamp a wire between the magnets.

Power supply

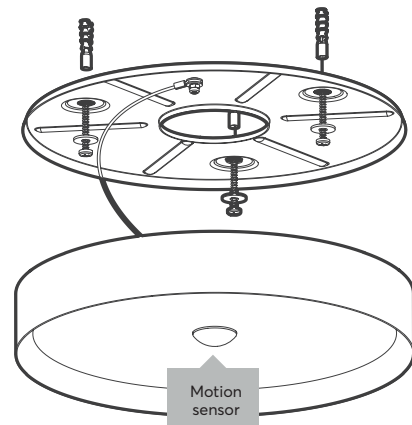
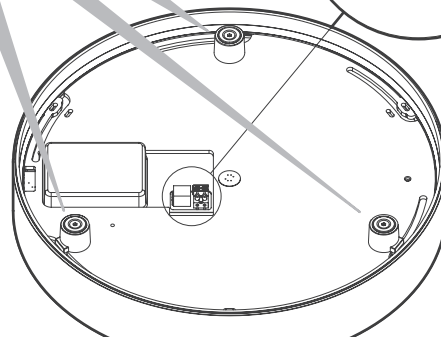
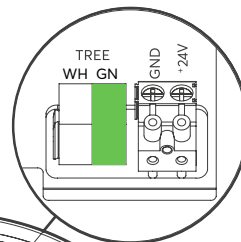
Wire cross-section	0.75 ... 2.5mm ² / AWG18 ... 13
Stripping length	5mm / 0.2"
Torque of terminal blocks	0.35 ... 0.4Nm / 0.26 ... 0.3 lbf ft
Temperature resistance	min. 80°C / 176°F for IEC, min. 75°C / 167°F for UL
Screw Terminals	Put the cable through the terminals and fasten the screws.

Loxone Tree

Wire cross-section	0.25 ... 0.8mm ² / AWG23 ... 18
Stripping length	5mm / 0.2"
Temperature resistance	-40 ... 105°C / -40 ... 221°F

This folder is a part of the product!
DRY LOCATIONS ONLY • POUR EMPLACEMENTS SECS SEULEMENT •
CLASS 2 INPUT ONLY • ENTRÉE DE CLASSE 2 UNIQUEMENT

3 strong magnet holders



For additional information, declaration of conformity, visit www.loxone.com/help/ceilinglight-tree