

Datasheet

Touch Tree

Part No: 100425, 100604



About the product

The Loxone Touch Tree has five touch points to operate the most important functions of a room. The large central touch zone is ideal for controlling lighting, while the corner zones are suitable for controlling music and blinds. The Loxone button standard is used here. A sensor for measuring temperature and humidity is also integrated.

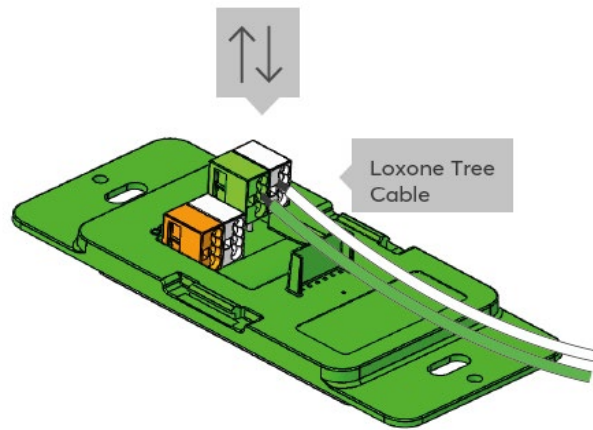
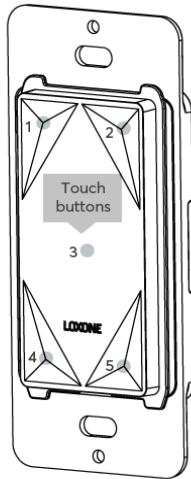
Technical Data

Power Supply	6 ... 30VDC
Power Consumption	typ. 89mW, max. 121mW
Power Loss	max. 121mW
Ambient Temperature	-20 ... 70°C / -4 ... 158°F
Humidity	max. 95% r.H. (non condensing)
Touch Points	5 Touch Points, capacitive touch detection
Click Feedback	Yes
Temperature Detection Range	-40 ... 125°C / -40 ... 257°F; +/- 0.5°C / 0.9°F
Humidity Detection Range	0 ... 100% r. H. +/- 2%, (non condensing)

Connections

Wire cross-section	0.25 ... 0.8mm ² / AWG23 ... AWG18
Stripping Length	5mm / 0.2"
Temperature Resistance	-40 ... +105°C / -40 ... +221°F
Orange / White	+24V / GND
Green / White	Loxone Tree

Connection Diagram

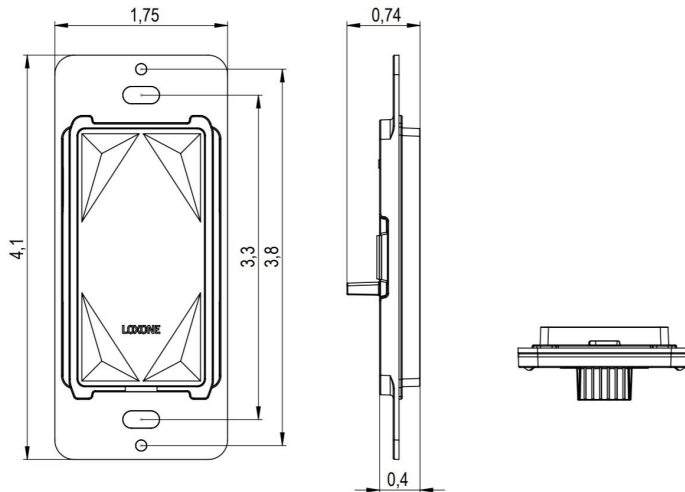


Product Characteristics

Colours	White: RAL9003 - Part No. 100425 Anthracite: RAL9005 - Part No. 100604
Finish	Matte

Weight & Dimensions

Net weight	35g
Total weight	59g
Product dimensions	4.1x1.75x0.74" (LxWxH)



Pack size	4.53x3.15x1.10" (LxWxH)
-----------	-------------------------

Certifications & Standards

Safety Rating

IP30

Certifications

UL 62368-1:2014 Ed.2

CSA C22.2#62368-1:2014 Ed.2



Installation must be carried out by a qualified electrician in accordance with the relevant regulations.

Published by
Loxone Electronics GmbH

Smart Home 1
4154 Kollerschlag
Austria
Tel: +43 7287 7070-0
loxone.com