

Datasheet

Touch for Nano

Part No: 100427



About the product

The Loxone Touch for Nano has five touch points to operate the most important functions of a room. The large central touch zone is ideal for controlling lighting, while the corner zones are suitable for controlling music and blinds. The Loxone button standard is used here. It is controlled via the Nano Relay Air.

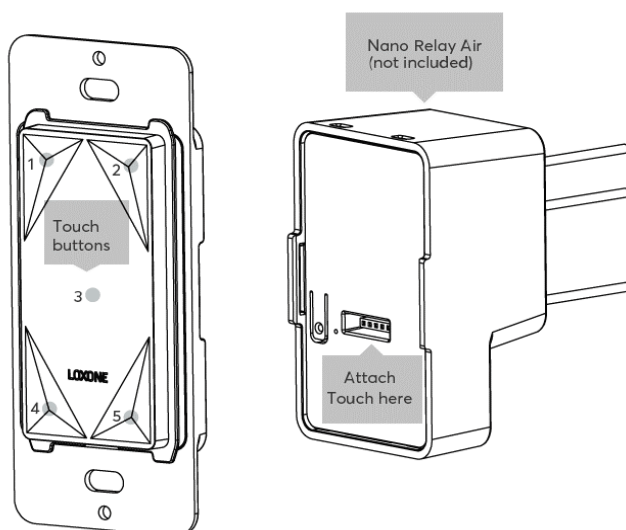
Electrical Data

Power Supply	via Nano Relay Air
Power Consumption	-
Power Loss	-
Ambient Temperature	-20 ... 70°C / -4 ... 158°F
Humidity	max. 95% r.H. (non condensing)
Touch Points	5 Touch Points, capacitive touch detection
Click Feedback	Yes

Product Characteristics

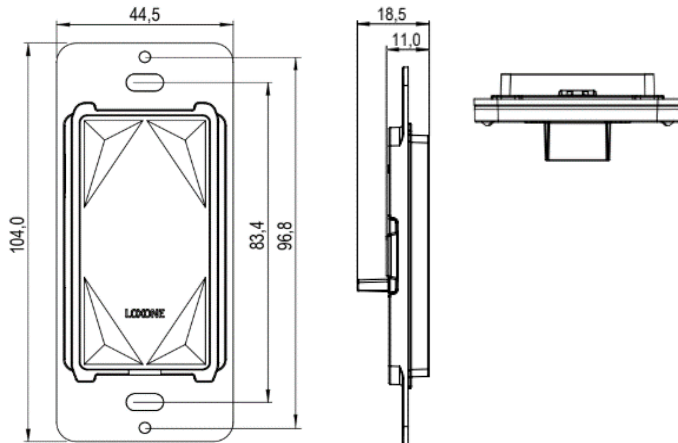
Colours	White RAL9003
Finish	Matte

Connection Diagram



Weight & Dimensions




Net weight	28g
Total weight	52g
Product dimensions	Touch for Nano: 104x44,5x18,9mm / 4.09x1.75x0.74" (LxWxH)
	Nano Relay Air with Nano: 104x45x44mm / 4.09x1.77x1.73" (LxWxH)



Pack size	115x80x28mm / 4.53x3.15x1.10" (LxWxH)
-----------	---------------------------------------

Certifications & Standards

Safety Rating	IP30
Operation	Type 1 (EN60730-1)
Degree of Pollution	2

Certifications	UL60730-1 IEC60730-1	RECOGNIZED COMPONENT
	 	

Installation must be carried out by a qualified electrician in accordance with the relevant regulations.

Published by
Loxone Electronics GmbH
 Smart Home 1
 4154 Kollerschlag
 Austria
 Tel: +43 7287 7070-0
 loxone.com