

Datasheet

SMA Stub Antenna 868 MHz

Part No: 000200



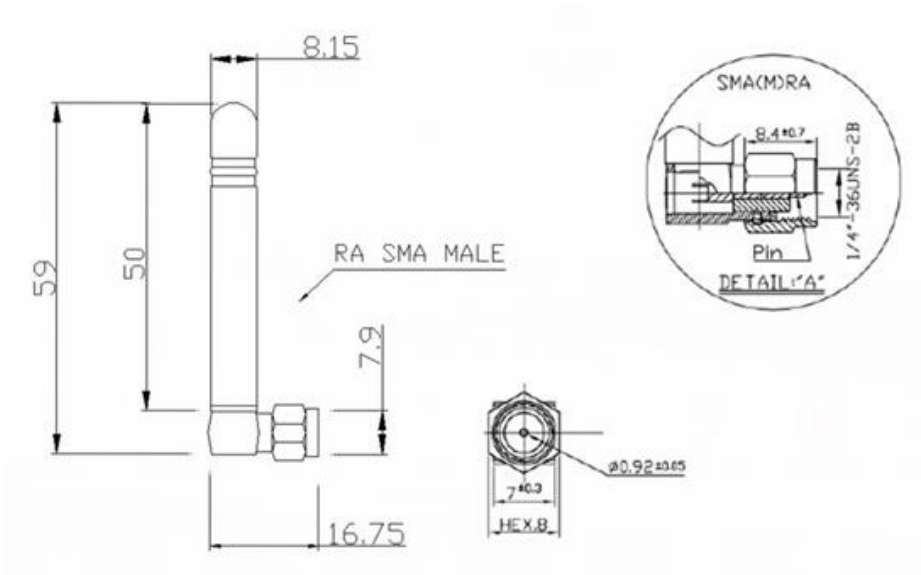
Electrical Specifications

Frequency Range	865...924 MHz
Horizontal Beamwidth	360°
Vertical Beamwidth	60°
Impedance	50 Ω
Gain	1.5 dBi
VSWR	≤ 2.0
Maximum input power	5 W

Mechanical Specifications

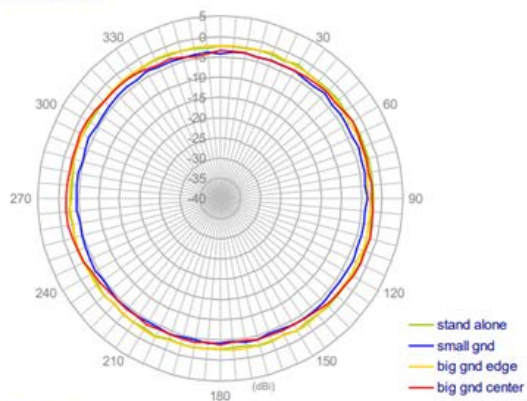
Connector	SMA
Antenna Height	59mm
Weight	8g
Color	Black
Operating temperature	-40°C~+80°C

Product Specification Chart.

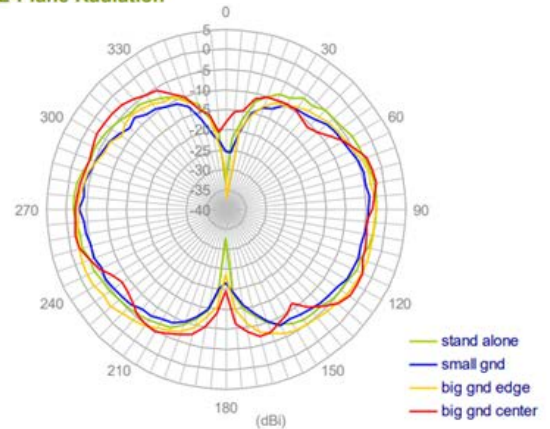


Radiation Pattern

H-Plane Radiation



E-Plane Radiation



Published by
Loxone Electronics GmbH
 Smart Home 1
 4154 Kollerschlag
 Austria
 Tel: +43 7287 7070-0
 loxone.com

Loxone UK
 The Forum
 Station Road
 Theale, RG7 4RA
 United Kingdom