

## Datasheet

### Room Comfort Sensor Tree

Part No: 100276, 100277



### About the product

The Room Comfort Sensor Tree is used to measure temperature, humidity and CO2 value as an indicator for the air quality in a room.

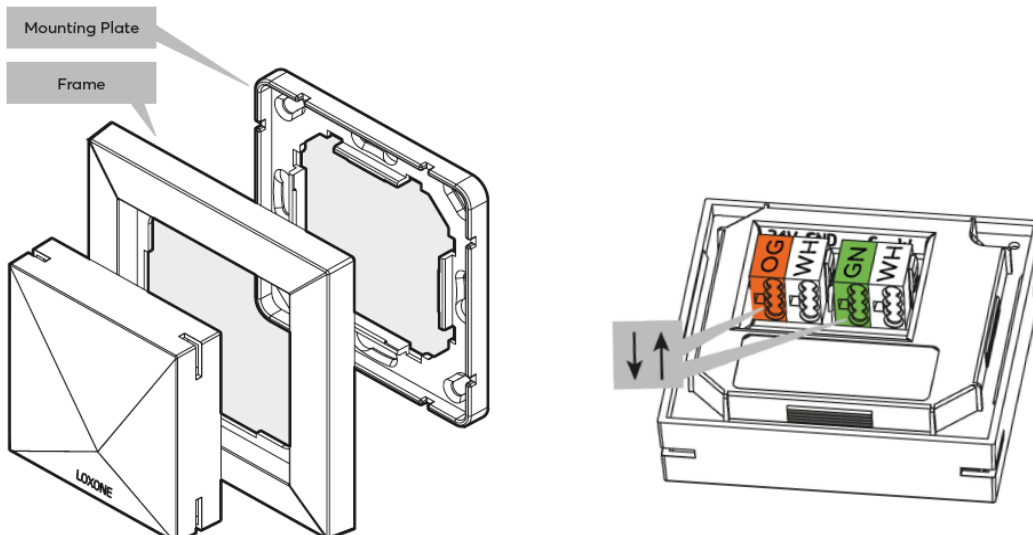
### Electrical Data

Power supply	9 ... 28VDC
Power consumption	typ. 150mW, max. 160mW
Power loss	max. 160mW
Interfaces	Loxone Tree: connection with Miniserver / Tree Extension
Ambient temperature	-20 ... 55°C / -4 ... 131°F
Humidity	max. 95% r.H. (non condensing)
Temperature detection range	-40 ... 120°C / -40 ... 248°F, ± 0,5°C
Humidity detection range	0 ... 100% r. H. ± 2%, (non condensing)
CO2 detection	400 ... 10.000ppm, ±(30 ppm + 3%) NDIR Sensor

### Connections

Wire cross-section	0.25 ... 0.8mm <sup>2</sup> / AWG23 ... 18
Stripping length	5mm / 0.2"
Temperature resistance	-40 ... 105°C / -40 ... 221°F
Orange / White	+ 24VDC / GND
Green / White	Loxone Tree

### Connection Diagram

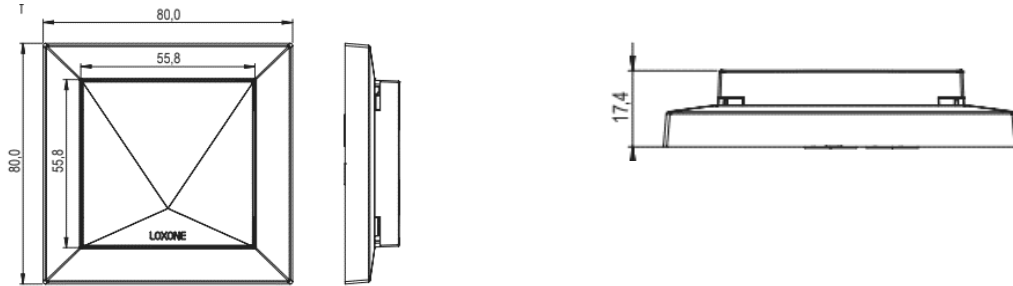


## Product Characteristics

Colours	White: RAL9003 - Part No. 100276 Anthracite: RAL7016 - Part No. 100277
Finish	Matte


## Weight & Dimensions

Net weight	62g
Total weight	75g
Product dimensions	80x80x18mm / 3.15x3.15x0.71" (LxWxH) with frame



Pack size	97x85x24mm / 3.82x3.35x0.94" (LxWxH)
-----------	--------------------------------------

## Certifications & Standards

Safety rating	IP20
Certifications	

Installation must be carried out by a qualified electrician in accordance with the relevant regulations.

**Published by**  
**Loxone Electronics GmbH**  
Smart Home 1  
4154 Kollerschlag  
Austria  
Tel: +43 7287 7070-0  
loxone.com

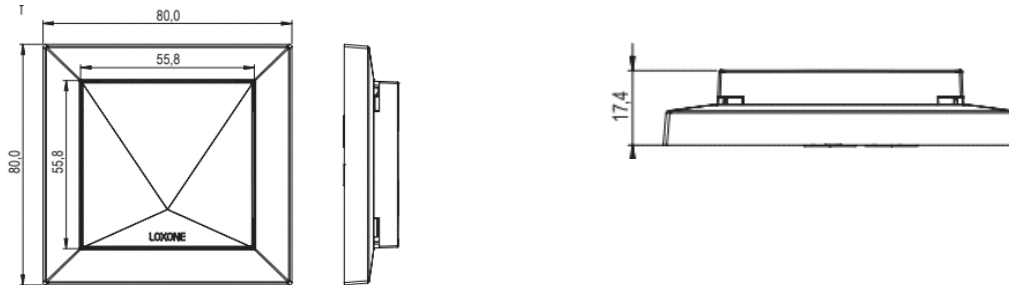


## Produkteigenschaften

Farbe	Weiß: RAL9003 - Art. Nr. 100276 Anthrazit: RAL7016 - Art. Nr. 100277
Glanzgrad	Matt


## Gewicht & Abmessungen

Nettogewicht	62g
Bruttogewicht	75g
Produktmaße	80x80x18mm / 3,15x3,15x0,71" (LxBxH) mit Rahmen



Packmaß	97x85x24mm / 3,82x3,35x0,94" (LxBxH)
---------	--------------------------------------

## Zertifizierungen & Standards

Schutzart	IP20
Zertifizierungen	

Die Installation muss nach den einschlägigen Vorschriften durch eine Elektrofachkraft erfolgen.

### Veröffentlicht von Loxone Electronics GmbH

Smart Home 1  
4154 Kollerschlag  
Austria  
Tel: +43 7287 7070-0  
loxone.com