

Nummer: 200203

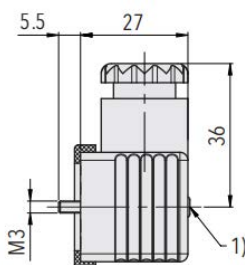
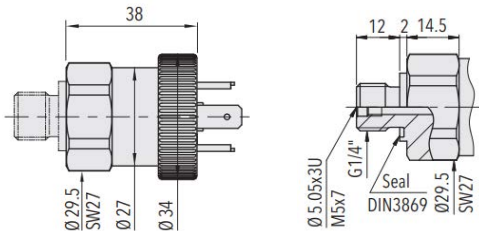
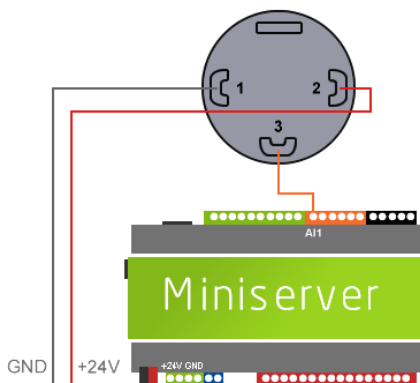
KEY FEATURES

- Sensor: Dickschicht-au -Keramik
- Messbereich: 0...6bar
- nennspannung : 0-10V

GENAUIGKEIT

- NLH @ 25°C (BSL) typ.: ± 0.2 % FS typ.

ANSCHLUSS



1) Tightening torque 50...60 Ncm

TECHNISCHE DATEN

A	Output: 0-10 V Load resistance: ≥ 5.0 kΩ I (supply): ≤ 10 mA
Supply voltage	24 (15...30) VDC
Messbereich	0...6bar
berdruck	12 bar
Berstdruck	15 bar
Sensor	Relativdruck, 1.4404 - G 1/4" au en
Electrical connection	leeleccl
Rise time	Typ. 1 ms/ 10...90% nominal press
Power-on delay time	Max. 1.5 s
umgebungstemperatur	-25...125°C / -13...257°F
Medientemperatur	-25...125°C / -13...257°F
Protection	IP65
Humidity	Max. 95% relative
Vibration	15g RMS (20...2000 Hz) 15g Sinus (10...2000 Hz)
Shock	50g - 11ms / 1.8oz - 11ms
EMC Protection	Emission: EN/IEC 61000-6-3 Immunity: EN/IEC 61000-6-2

MECHANISCHE DATEN

Sensor	Ceramic, Al ₂ O ₃ (96%)
Pressure connection	1.4404 (AISI316L)
Sealing	FKM 70 Sh
Mounting torque	15...20 Nm
Weight	~110g / ~4oz