

Datasheet

Nano Relay Air

Part No: 100426



About the product

The Loxone Nano Relay Air has an output with a bistable relay, for installation in a suitable flush-mounted or cavity wall box. The Touch for Nano key module is optionally available for plug-on installation. It is controlled via the Loxone Air wireless technology.

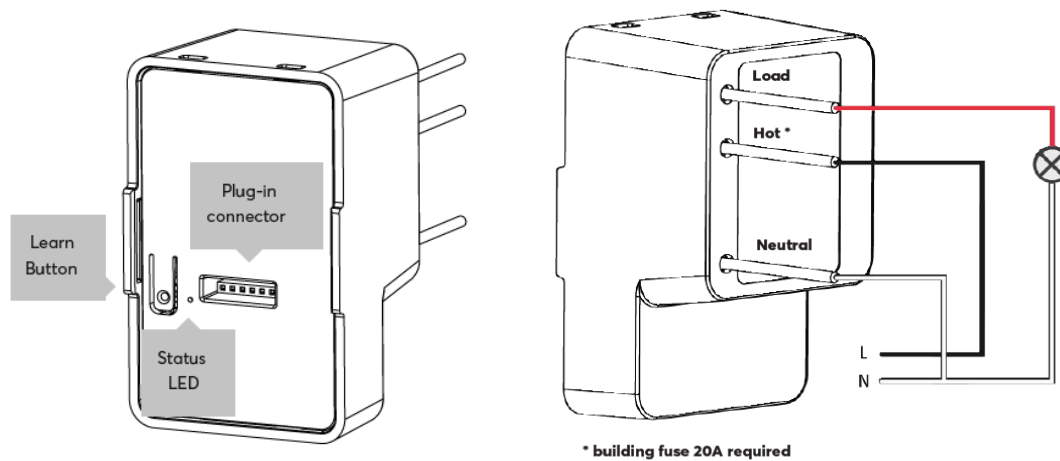
Electrical Data

Power supply	110VAC ... 230VAC, 50/60Hz
Standby power consumption	typ. 0.5W; max. 1.5W
Outputs	1 output (switching supply voltage), bistable 16A AC cosφ=1
Interface	Loxone Air: 868MHz (SRD Band Europe), 4 channels available max. Power 15.1mW e.r.p. 915MHz (ISM Band Region 2), 10 channels available max. Power 13.2mW
Power loss at max. load	max. 4W
Ambient temperature	0 ... 50°C / 32 ... 122°F
Humidity	max. 90% r.H. (non condensing)

Stripping length

	Connection Cables	Lever Connectors
Wire cross-section	1.5mm ² / AWG15	1.5 ... 4mm ² / AWG15 ... AWG12
Stripping length	11mm / 0.43"	11mm / 0.43"
Temperature resistance	min. 80°C / 176°F for IEC, min. 75°C / 167°F for UL	max. 85°C / 185°F
Wire length	125 mm / 4.92"	-

Connection Diagram

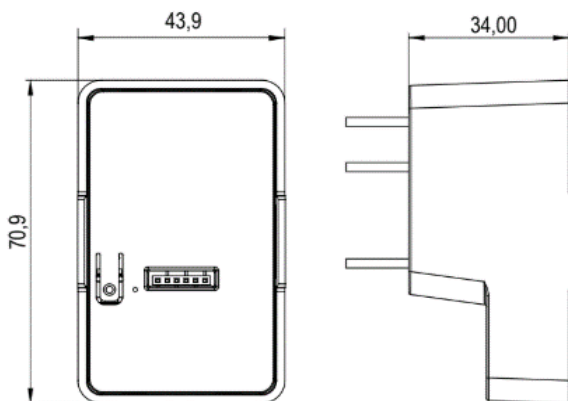


Product Characteristics

Mounting type	Installation box or additional enclosure
Cable fixing method	with attached clamps
Colours	Green RAL6018
Finish	Matte



Weight & Dimensions

Net weight	76g
Total weight	116g
Product dimensions	71x44x36mm / 2.8x1.73x1.42" (LxWxH)



Pack size	115x85x50mm / 4.53x3.35x1.97" (LxWxH)
-----------	---------------------------------------

Certifications & Standards

Safety rating	IP20
Operation	Type 1 / Class A (IEC 60730-1, UL 60730-1)
Rated impulse voltage for digital output	2.5kV (EN60730-1, max. Altitude 2000m)
Degree of pollution	2
Certification	UL60730-1 IEC60730-1   RECOGNIZED COMPONENT Intertek

Installation must be carried out by a qualified electrician in accordance with the relevant regulations.

Published by
Loxone Electronics GmbH

Smart Home 1
4154 Kollerschlag
Austria
Tel: +43 7287 7070-0
loxone.com