

Technical Specifications

Power Supply	24VDC (-10%...+5%)
Power Consumption Per Channel (max.)	Red: 2W Green: 1,7W Blue: 1,7W Warm White: 5W
Ambient Temperature	0...55°C / 32...131°F
Safety Rating	IP20
Dimming	10...100% with PWM
PWM Signal	125...500Hz
Rated Luminous Flux	410lm
Color Temperature	warm white 3000K
Beam Angle	120°
Hole Diameter	Ø 68...72mm
Installation Depth With Kinked Nozzle	60mm
Connection	with Clamps
Maintenance And Cleaning	This device is free of maintenance and may only be cleaned with a dry cloth.

LOXONE

No Gimmicks.
Real Smart Homes.

LOXONE

Need Help?

loxone.com/support

Loxone Electronics GmbH
Smart Home 1
4154 Kollerschlag
Austria

loxone.com



LED Spot RGBW

Part No.: 100204 (white)
Part No.: 100273 (anthracite)

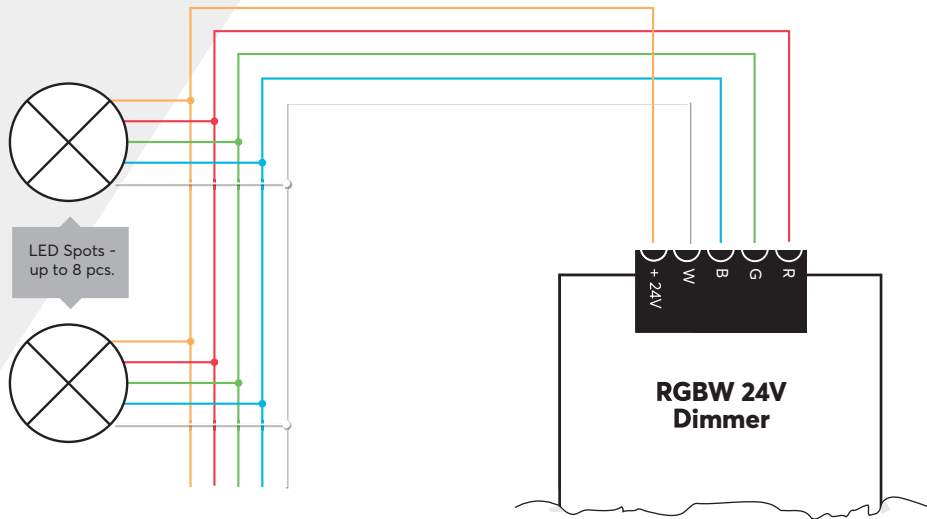


About the product

The Loxone LED spot RGBW is a downlight with RGB and warm white light outputs. It works best in combination with the Loxone RGBW 24V Dimmers (DMX or Air). You can connect up to 8 Loxone LED RGBW spots to one Loxone 24V Dimmer.

Installation & electrical connection

The installation of this device has to be carried out by a qualified person. The device has to be fitted in accordance with building regulations for electrical and fire safety. If the device is not installed according to manufacturers guidelines the protection of the device may be affected.



For additional information, declaration of conformity, visit www.loxone.com/help/ledspot