

Technical Specifications

Power Supply	24VDC SELV (-10%...+5%)
Power Consumption Per Channel (max.)	Red: 4,8W Green: 2,0W Blue: 3,2W Warm White: 9,4W
Ambient Temperature	0...55°C / 32...131°F
Safety Rating	IP20
Dimming	1...100%
Rated Luminous Flux	741.5 typ.
Color Temperature	3000K typ.
Beam Angle	120°
Dimensions	D = 80mm, H = 70mm
Maintenance & Cleaning	This device is free of maintenance and may only be cleaned with a dry cloth.

LOXONE

No Gimmicks.
Real Smart Homes.



LOXONE

Need Help?

loxone.com/support

Loxone Electronics GmbH
Smart Home 1
4154 Kollerschlag
Austria

loxone.com



LED Ceiling Spot RGBW Tree

Part No.: 100237 (White)

Part No.: 100280 (Anthracite)



About the product

The Loxone LED Ceiling Spot RGBW Tree is a downlight with RGB and warm white light outputs. It only works in combination with the Loxone Tree Extension.

Installation & electrical connection

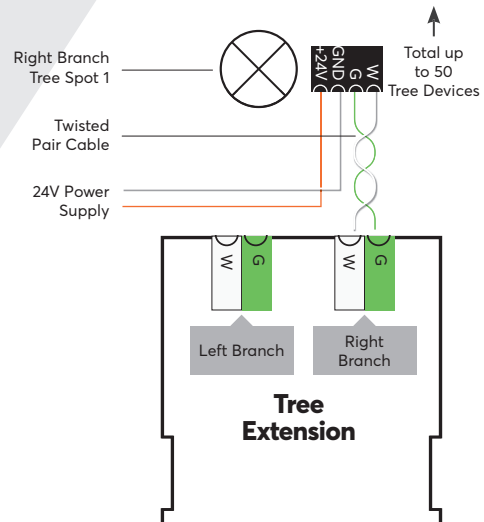
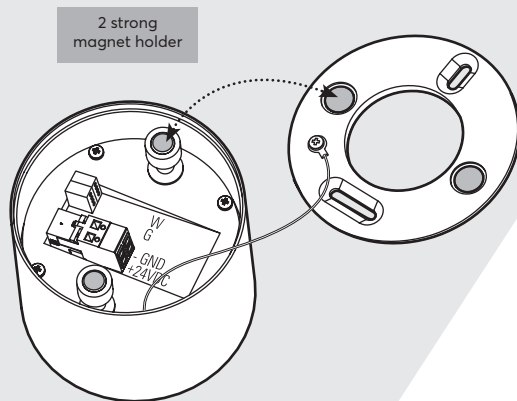
The installation of this device has to be carried out by a qualified person. The device has to be fitted in accordance with building regulations for electrical and fire safety. If the device is not installed according to manufacturers guidelines the protection of the device may be affected.

Power Connectors

Wire Diameter	0.2mm ² ...1.5mm ²
Max. rated Current	10A
Push-In-Technology	To make connection insert the conductor; to remove the cable push in the orange Bolt.

Tree Connectors

Wire Diameter	0.25mm ² ...0.8mm ²
Exposed Wire Length	5mm
Push-In-Technology	To make connection insert the conductor; to remove the cable twist and pull at the same time.



For additional information, declaration of conformity, visit www.loxone.com/help/ledceilingspot