

Datasheet

Loxone Panel

14.5 x 14.5 x 4 in / 368.3 x 368.3 x 101.6 mm

by Shocker Automation

Item No: 500049

About the product:

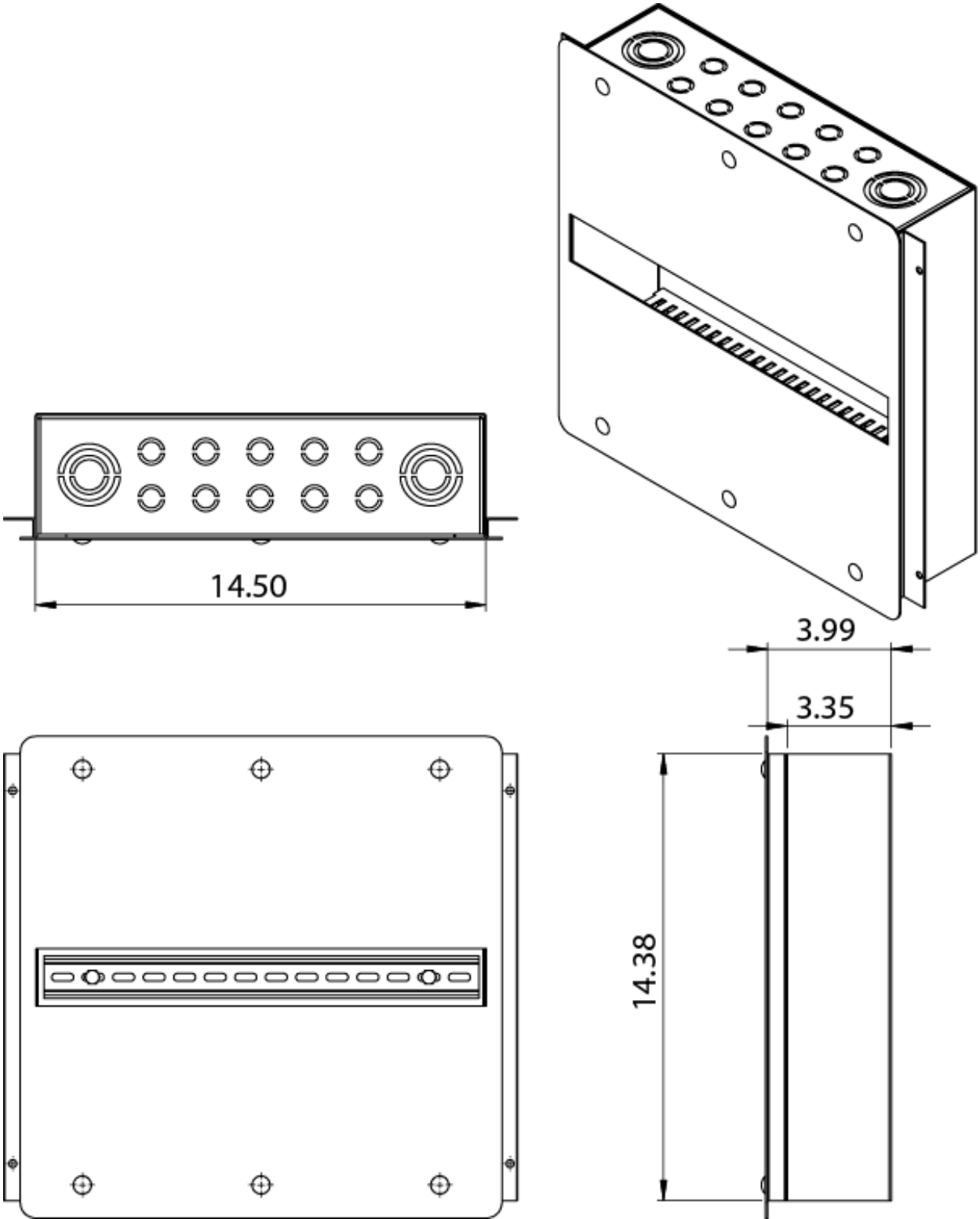
The Loxone Panel* is designed for smaller, complete installations or for expanding projects. It includes a removable cover, built-in nailing flange, DIN rail space for and advertising space for your company logo. It is designed specifically to conform with US and Canadian Certification Standards and proudly manufactured with US steel.

- DIN rail space: 14" (355 mm)
- Top cover includes acrylic insert for partner advertising
- Top & bottom row of cable ducting for cable management
- Nailing flange built-in, no need for installation brackets
- CSA rated for USA & Canada



*This is a third-party product and we can not offer additional dealer discounts.

Loxone Panel
14.5" x 14.5" x 4"



Loxone Panel
14.5" x 14.5" x 4"

