

Datasheet

Loxone Power Supply Panel

14.5 x 10 x 6 in / 368.3 x 254 x 152.4 mm

by Shocker Automation

Item No: 500054

About the product:

The Loxone Power Supply Panel* is designed to fit 10A power supplies and extensions. It includes a removable cover, DIN rail space and advertising space for your company logo. It is designed specifically to conform with US and Canadian Certification Standards and proudly manufactured with US steel.

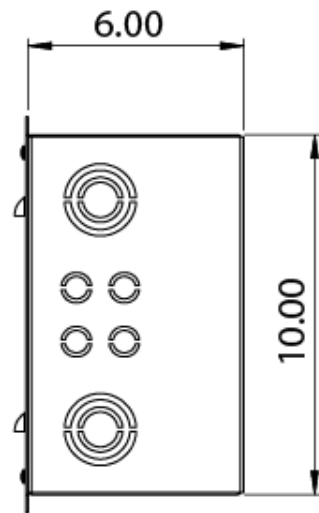
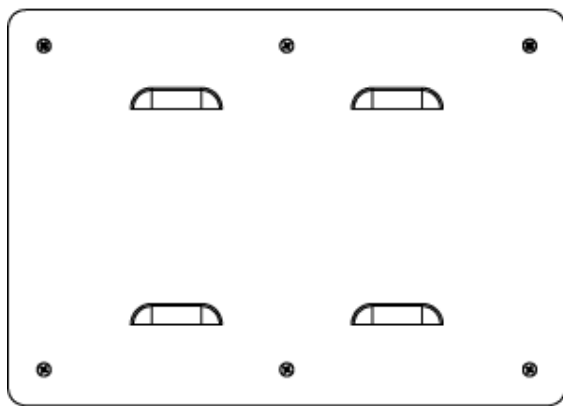
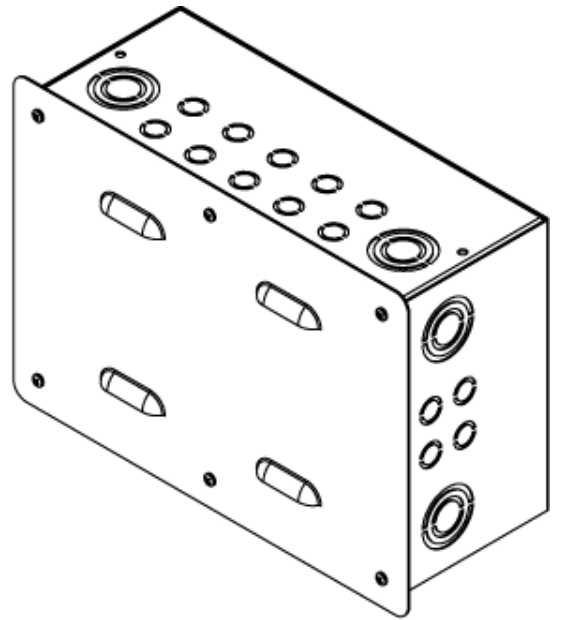
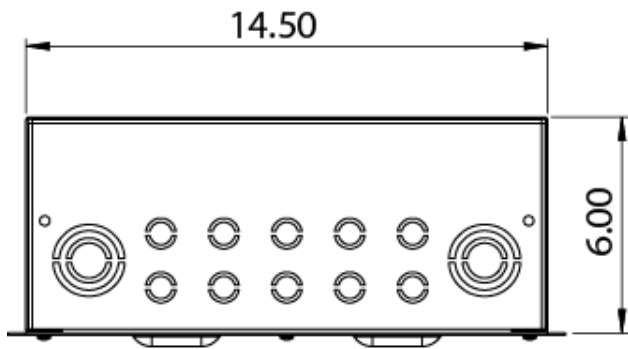


- DIN rail space: 12" (300 mm) space for power supply, up to 50 Amps.
- Top cover includes acrylic insert for partner advertising
- CSA rated for USA & Canada

*This is a third-party product and we can not offer additional dealer discounts.

Loxone Panel

14.5" x 10" x 6"



Loxone Panel

14.5" x 10" x 6"

