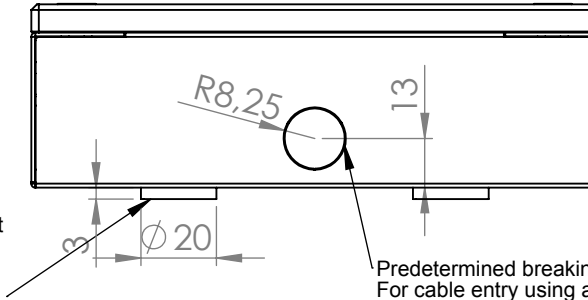


Hexagonal press-in thread:

These have a higher resistance to rotation forces and allow mounting of the screws using a cordless screwdriver with limited torque.



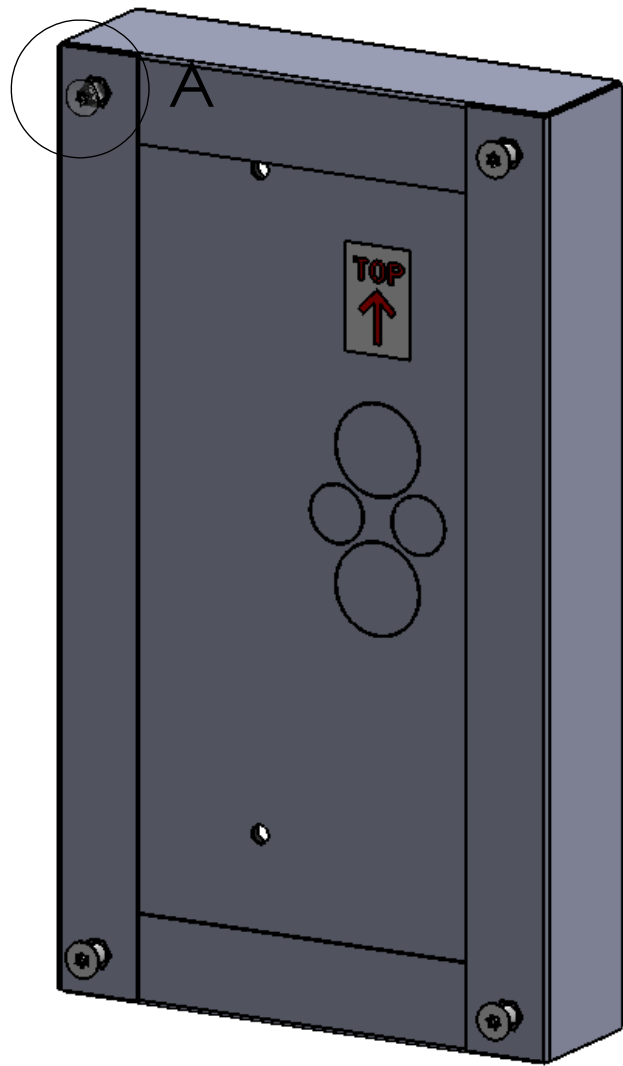
4 rubber rings for height adjustment included in delivery



Predetermined breaking point:  
For cable entry using an on-wall cable duct guiding fed from the bottom

### Installation Instructions:

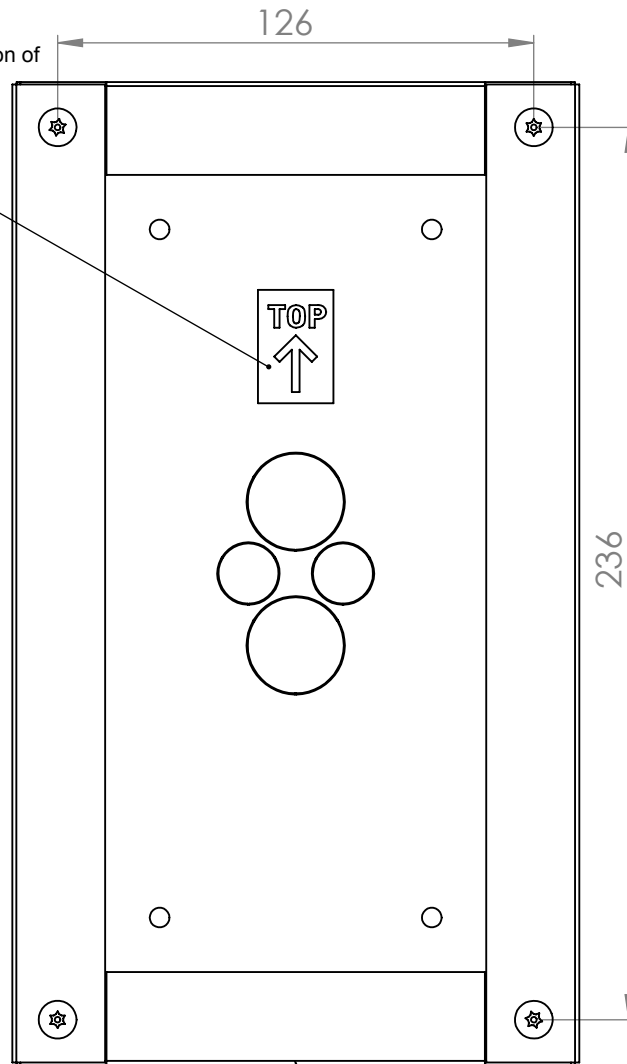
The on-wall box is to be mounted on a plane wall with 4 screws and 4 dowels (included in delivery). For outdoor use, be aware of using sufficient sealing of the bolting. The appliance of acrylic/silicone is recommended between dowels and on-wall housing. Similarly, the cable routing must be protected against moisture. For mounting on uneven walls, 4 rubber rings 3x20 mm are supplied. Wall tolerances up to 2 mm can be compensated.



Surface-mount box in colour RAL9006, white aluminium matt, 4 rubber rings 3x20 are included in the delivery

4 M5x16 torx screws with pin, set of dowels with screws, are included in the delivery of the Intercom Station

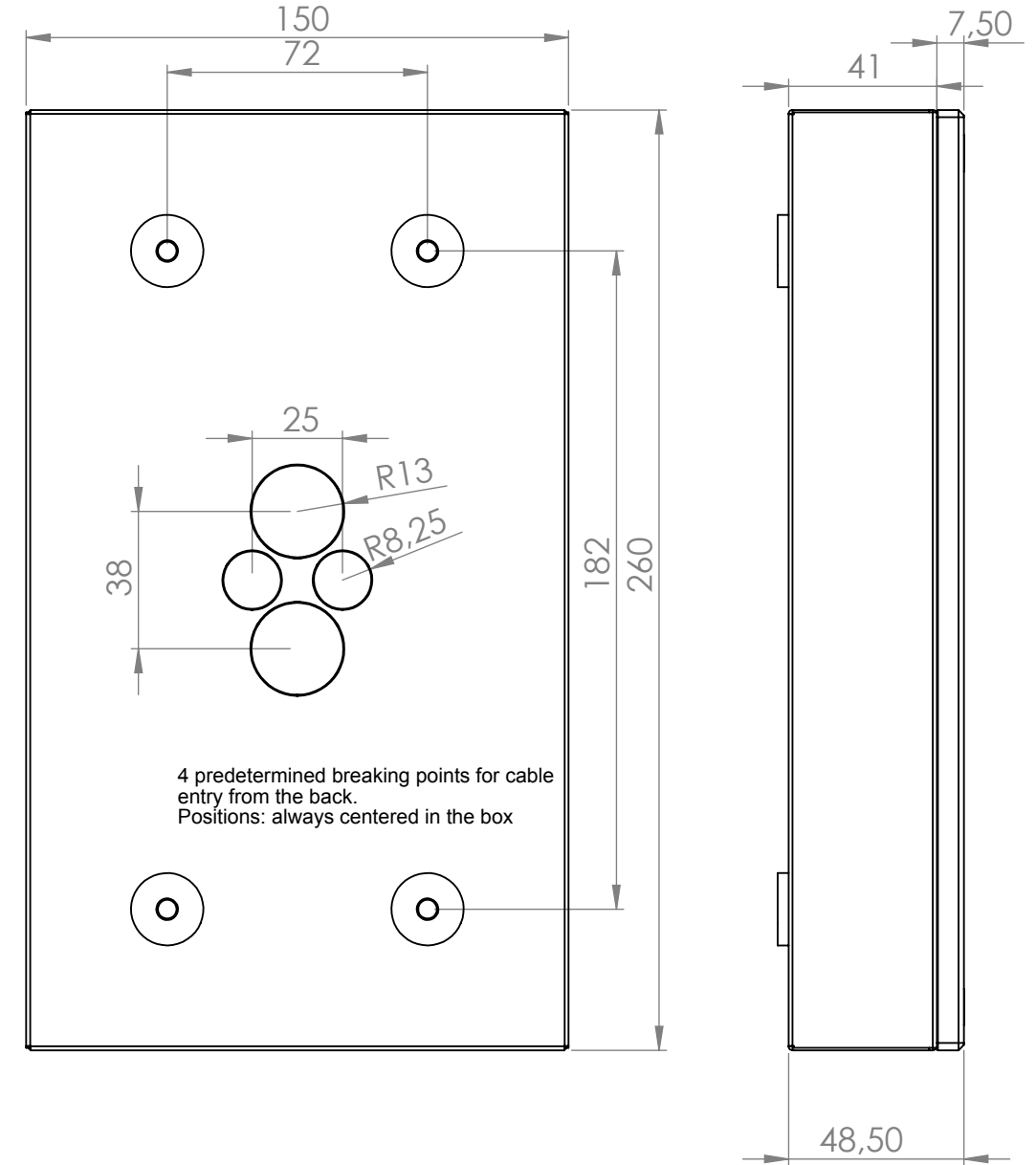
Label for identification of mounting direction



Predetermined breaking point at the bottom

All breakouts for cable entry are closed and designed as predetermined breaking points.

To open the breaking point, a flat screwdriver is applied at the rim and the breakthrough is made by a hammer stroke.



4 predetermined breaking points for cable entry from the back.  
Positions: always centered in the box

Alle Rechte ausdrücklich vorbehalten. Vervielfältigung oder Nachdruck in irgendeiner Form ist ohne schriftliche Genehmigung des Herstellers nicht gestattet.



All rights strictly reserved. Reproduction or issue in third parties in any form whatever is not permitted without written authority from the proprietor.

<b>LOXONE</b> Loxone Electronics GmbH			Bezeichnung: <b>Intercom Surface-Mount Box</b>		
Datum	22.06.2015	22.06.2015	22.06.2015	Artikel Nummer	200095
Name	Ba	Ba	Ba	Letzte Änderung:	22.06.2015
	erstellt	geprüft	Freigabe	Durch: Bau	Bl. 1/1