



## About the product

The Loxone Window & Door Contact will quickly detect any open windows or doors in your smart home and similar non safety critical applications.

## Features

- supports Loxone Air technology.

## Installation & electrical connection

If the device is not installed according to manufacturers guidelines the protection of the device may be affected.

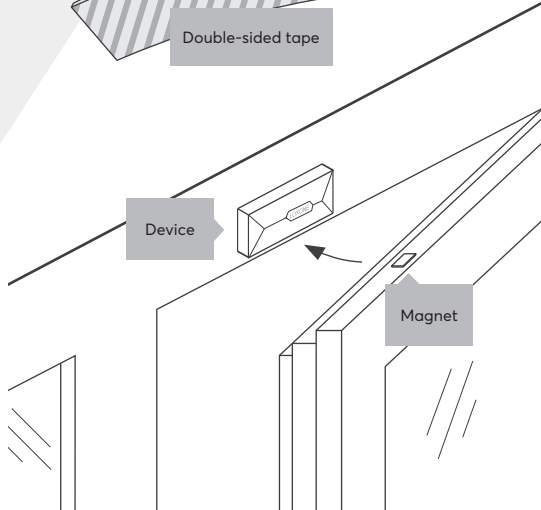
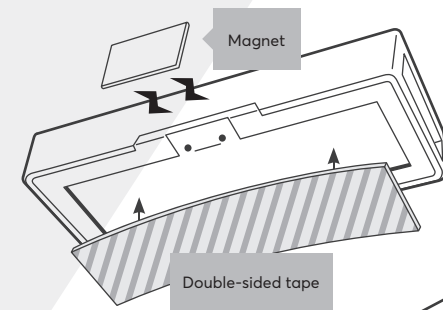
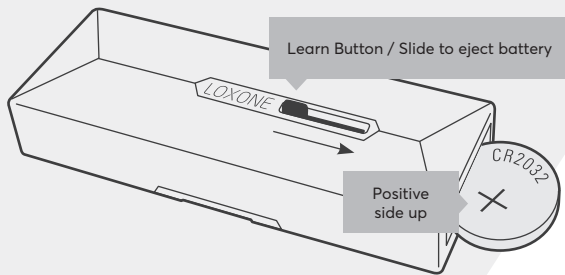
## Information

Contains FCC ID: COR-ZWIR4512AC1

This device complies with part 15 of the FCC Rules.

Operation is subject to the following two conditions:

1. This device may not cause harmful interference
2. This device must accept any interference received, including interference that may cause undesired operation



For additional information, declaration of conformity, visit [www.loxone.com/help/air](http://www.loxone.com/help/air)