

Technical Specifications

Power Supply	CR2450
Safety Rating	IP40
Capacitive Touch	5 touch points
Ambient Temperature	-20...60°C / -4...140°F
Temperature Detection Range	-40...125°C / -40...257°F +/- 0.5°C / 0.9°F
Humidity Detection Range	0...100% r.H. +/- 2% (non-condensing)
Radio Frequency	868MHz (SRD band Europe), 915MHz (ISM band Region 2) max. Power 3.16mW
Dimensions	80x80x10mm / 3.15x3.15x0.4" (LxWxH)
Maintenance & Cleaning	This device is free of main- tenance and may only be cleaned with a dry cloth.

Information

Contains FCC ID: COR-ZWIR4512AC1

This device complies with part 15 of the FCC rules.

Operation is subject to the following two conditions:

1. This device may not cause harmful interference.
2. This device must accept any interference received, including interference that may cause undesired operation.

LOXONE

No Gimmicks.
Real Smart Homes.

LOXONE

Need Help?

loxone.com/support



Touch Air

Loxone Electronics GmbH
Smart Home 1
4154 Kollerschlag
Austria

loxone.com



V300419

Part No: 100155 (White)
Part No: 100180 (Anthracite)

About the product

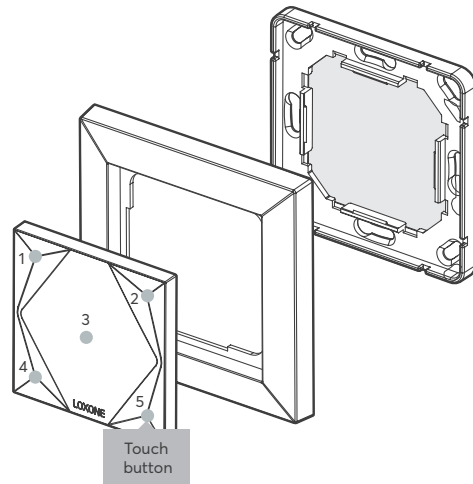
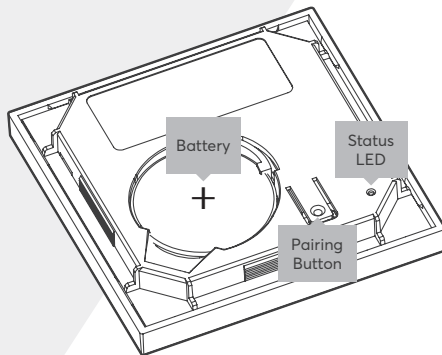
The Loxone Touch has five touch zones, which can be configured according to your needs. The large central touch zone is ideal for controlling lighting, whilst the corner zones are handy for controlling music and blinds.

Features

- 5 touch buttons
- Temperature & humidity sensor
- Optional click feedback

Installation

Install the mounting frame on the desired installation place. Power up the device with the provided battery and pair it with your Miniserver in Loxone Config. To finish the installation attach the Loxone Touch on the mounting frame.



This folder is a part of the product!



For additional information, declaration of conformity, visit www.loxone.com/help/touch-air