

## Datasheet

### Room Comfort Sensor Air

Part No: 100264, 100265



#### About the product

A must-have for smart room climate control within your four walls: introducing the Room Climate Sensor. This device takes a precise measurement of temperature, humidity, and CO2 levels - passing this information to the brain of your smart home to ensure the optimal room climate is achieved around the clock.

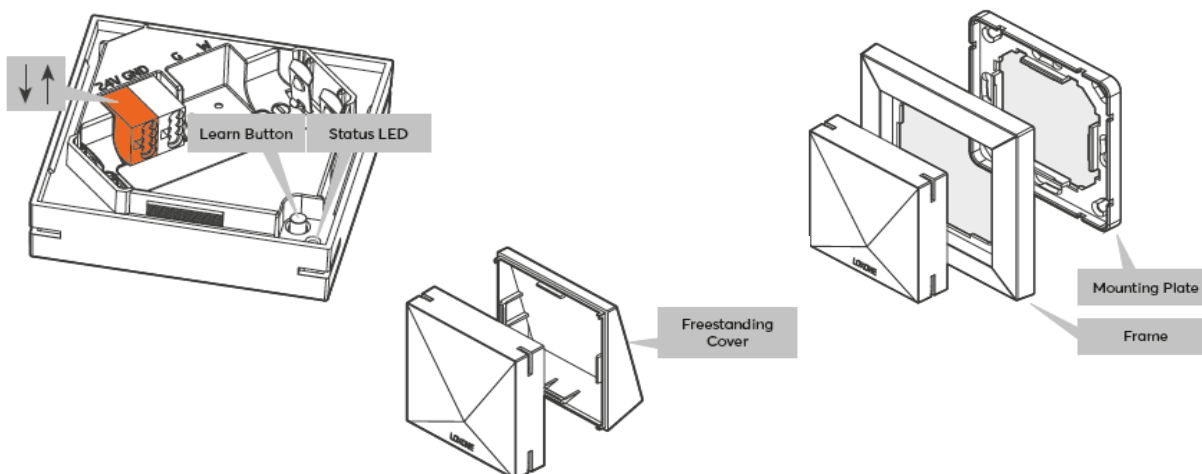
#### Electrical Data

|                     |   |
|---------------------|---|
| Power Supply        | 9 ... 28VDC PELV<br>or 2x 1.5V AAA batteries                                  |
| Power Consumption   | Battery: typ. 0.02mW, max. 50mW<br>PELV powered: typ. 65mW, max. 85mW         |
| Ambient Temperature | -20 ... 55°C / -4 ... 131°F   |
| Humidity            | max. 95% r.H. (non condensing)  |
| Radio Frequency     | 868MHz (SRD Band Europe),<br>915MHz (ISM Band Region 2),<br>max. Power 3.16mW |

#### Wiring & Connections

|                              |   |
|------------------------------|---|
| Orange/White                 | 9 ... 28VDC PELV                            |
| Wire conductor cross-section | 0.25 ... 0.8mm <sup>2</sup> / AWG23...AWG18 |
| Stripping Length             | 5mm / 0.2"                                  |

#### Connection Diagram



## Product Characteristics

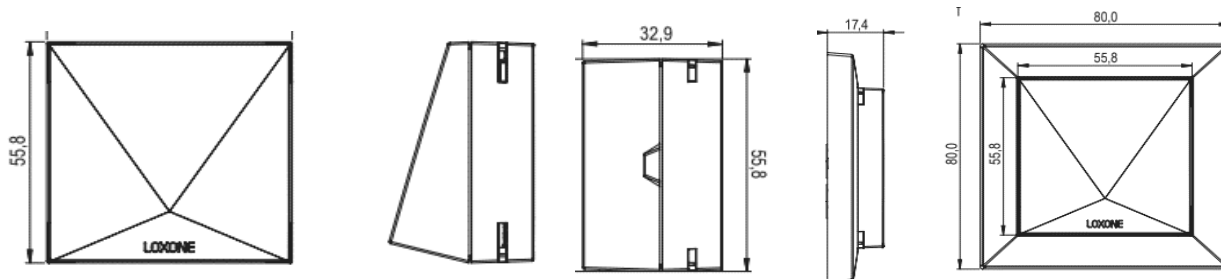
|          |   |
|----------|---|
| Colours  | Anthracite: RAL 7021<br>White: RAL 9003 |
| Material | ABS                                     |
| Surface  | VDI 3400 Step 33                        |
| Finish   | matte                                   |

## Features

|                            |  |
|----------------------------|--|
| Battery lifetime           | >2 years                                 |
| Temperatur Detection Range | -40°C ... 125°C / -40 ... 257°F, ± 0,5°C |
| Humidity Detection Range   | 0 ... 100% r. H. (non condensing), ± 2%  |

## Dimensions & Weight

|                        |  |
|------------------------|--|
| Product Weight         | 46g  |
| Weight incl. Packaging | 143g   |
| Product Dimensions     | 55.8x55.8x18mm / 2.19x2.19x0.71" (LxWxH) without frame<br>80x80x18mm / 3.15x3.15x0.71" (LxWxH) with frame<br>55.8x55.8x33mm / 2.19x2.19x1.30" (LxWxH) freestanding |



|                      |  |
|----------------------|--|
| Packaging Dimensions | 204x125x24mm / 8.03x4.92x0.94" (LxWxH) |
|----------------------|--|

## Certifications & Standards

|               |      |
|---------------|------|
| Safety Rating | IP20 |
|---------------|------|

Certifications



## Published by

**Loxone Electronics GmbH**

Smart Home 1

4154 Kollerschlag

Austria

Tel: +43 7287 7070-0

loxone.com

## Datenblatt

### Raumklimasensor Air

Art. Nr. 100264, 100265



### Information zum Produkt

Das Must-have für optimales Raumklima in den eigenen vier Wänden: Der Raumklima Sensor. Misst präzise Temperatur, Feuchte und Co2 – und gibt diese Info an das Smart Home weiter für perfektes Raumklima rund um die Uhr.

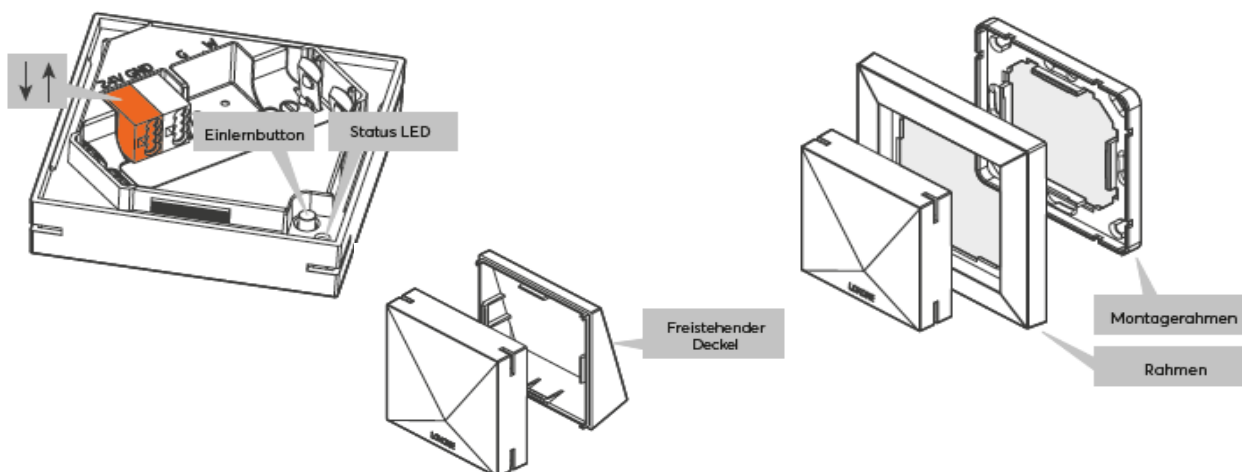
### Elektrische Daten

|                     |  |
|---------------------|--|
| Spannungsversorgung | 9 ... 28VDC PELV<br>or 2x 1,5V AAA Batterien                                     |
| Leistungsaufnahme   | Batterie: typ. 0,02mW, max. 50mW<br>PELV betrieben: typ. 65mW, max. 85mW         |
| Umgebungstemperatur | -20 ... 55°C / -4 ... 131°F  |
| Luftfeuchtigkeit    | max. 95% r.H. (nicht kondensierend)  |
| Radiofrequenz       | 868MHz (SRD Band Europa),<br>915MHz (ISM Band Region 2),<br>max. Leistung 3,16mW |

### Verkabelung & Anschlüsse

|                  |   |
|------------------|---|
| Orange/Weiß      | 9 ... 28VDC PELV                            |
| Kabelquerschnitt | 0,25 ... 0,8mm <sup>2</sup> / AWG23...AWG18 |
| Abisolierlänge   | 5mm / 0,2"                                  |

### Anschlussplan



## Produkteigenschaften

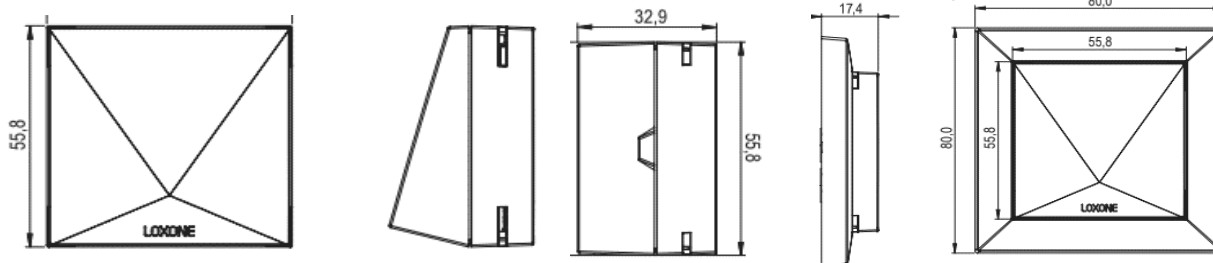
|            |                                       |
|------------|---------------------------------------|
| Farben     | Anthrazit: RAL 7021<br>Weiß: RAL 9003 |
| Material   | ABS                                   |
| Oberfläche | VDI 3400 Step 33                      |
| Glanzgrad  | Matt                                  |

## Funktionen

|                              |  |
|------------------------------|--|
| Batterie Laufzeit            | >2 years                                 |
| Messbereich Temperatursensor | -40°C ... 125°C / -40 ... 257°F, ± 0,5°C |
| Messbereich Luftfeuchtigkeit | 0 ... 100% r. H. (non condensing), ± 2%  |

## Abmessungen & Gewicht

|                          |   |
|--------------------------|---|
| Gewicht Produkt          | 46g   |
| Gewicht inkl. Verpackung | 143g  |
| Abmessungen Produkt      | 55,8x55,8x18mm / 2,19x2,19x0,71" (LxBxH) ohne Rahmen<br>80x80x18mm / 3,15x3,15x0,71" (LxBxH) mit Rahmen<br>55,8x55,8x33mm / 2,19x2,19x1,30" (LxBxH) freistehend |



|                        |  |
|------------------------|--|
| Abmessungen Verpackung | 204x125x24mm / 8,03x4,92x0,94" (LxBxH) |
|------------------------|--|

## Zertifizierungen & Standards

|           |      |
|-----------|------|
| Schutzart | IP20 |
|-----------|------|

Zertifizierungen



## Veröffentlicht von

**Loxone Electronics GmbH**

Smart Home 1

4154 Kollerschlag

Austria

Tel: +43 7287 7070-0

loxone.com