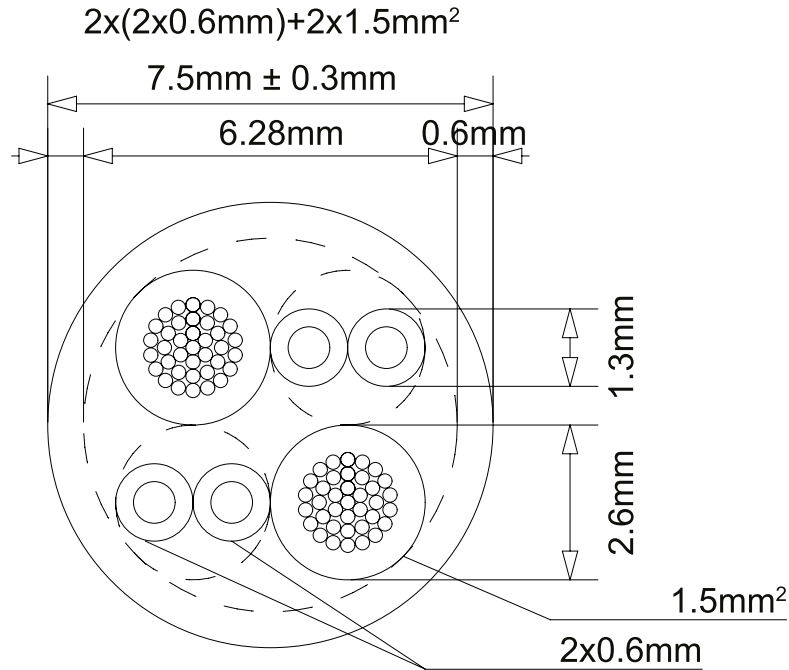


Loxone Tree Cable

Part No.: 100344



Construction:

- 2 x (2 x 0.6mm) single copper conductor
- Twisted-pairs
- Pair colours: GN-GN/WH, OR-OR/WH
- Insulation: PVC

- 2 x 1.5mm² stranded copper conductor
- Colours: OR, OR/WH
- Insulation: PVC

- Outer sheath: PVC

Temperature range:

-30°C to +80°C

Rated voltage:

200V DC

Standards:

EN50575:2014 +A1:2016

Reaction to fire class:

E_{ca}

Hazardous substances:

NPD

Construction	Outer colour	Conductor diameters*	Outer diameter*	Cu content
		mm	mm	kg/km
2x(2x0.6mm) 2x1.5mm²	Green	2x(2x0.6) 2x(28x0.245)	7.5	41.2

*Technical details subject to change. Values are a guide only.