

PRESSURE SENSOR 0-10 V

Part No.: 200203

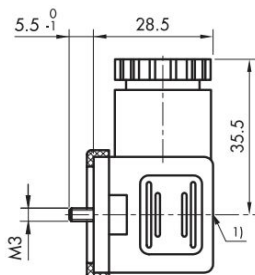
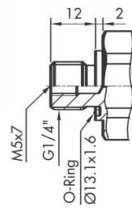
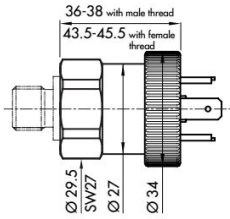
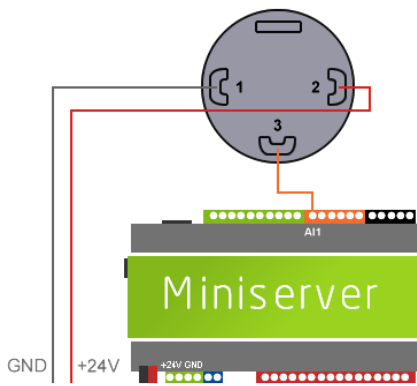
KEY FEATURES

- Sensor: Thick film on ceramic
- Measuring range: 0...6bar
- Output signal: 0-10V

ACCURACY

- NLH @ +25°C (BSL): ± 0.3 % FS typ.

CONNECTION



1) Torque moment 50...60 Ncm

TECHNICAL DATA

| | |
|-----------------------|---|
| Output signal | Output: 0-10 V Load resistance: > 5.0 kΩ I (supply): < 10 mA |
| Supply voltage | 24 (15...30) VDC |
| Measuring range | 0...6bar |
| Over pressure | 12 bar |
| Burst pressure | 15 bar |
| Sensor | Relative pressure, 1.4404 - G ¼" male |
| Electrical connection | Male electrical plug EN 175301-803-A, Mat. PA |
| Rise time | Typ. 1 ms/ 10...90% nominal press |
| Switch-on-delay | Max. 1.5 s |
| Accessories | O-Ring: FKM Pressure peak damping element: Ø 0,3 mm Male electrical plug: EN175301-803-A / DIN43650-A |
| Ambient temperature | -25°C ... 85°C |
| Media temperature | -25°C ... 125°C |
| Protection | IP65 |
| Humidity | Max. 95% relative |
| Vibration | 4g (10...2000 Hz) |
| Shock | 50g / 8 ms |
| EMC Protection | Emission: EN/IEC 61000-6-3 Immunity: EN/IEC 61000-6-2 |

MECHANICAL DATA

| | |
|---------------------|----------------------|
| Sensor | Ceramic, Al2O3 (96%) |
| Pressure connection | 1.4404 (AISI316L) |
| Sealing | FKM 70 Sh |
| Mounting torque | 15...20 Nm |
| Weigh | ~ 110g |

Please note technical specifications may change at any time!