

DRUCKSENSOR 0...6bar

Art. Nr.: 200203

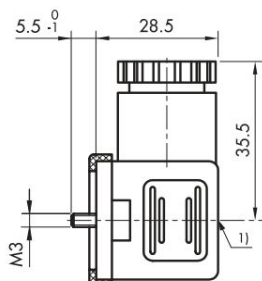
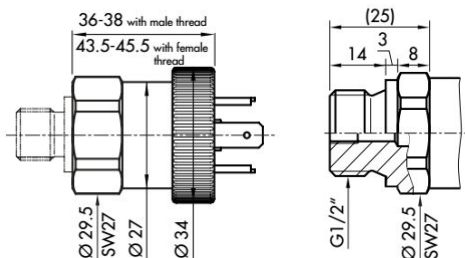
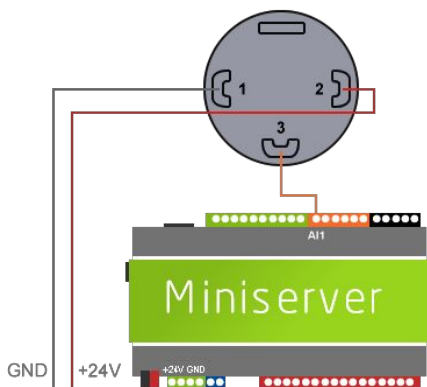
HAUPTMERKMALE

- Sensor: Dickschicht auf Keramik
- Messbereich: 0...6bar
- Ausgangssignal: 0-10 V

GENAUIGKEIT

- NLH @ +25 °C (BSL durch 0): +/- 0,3 % d.S. typ

ANSCHLUSSSKIZZE



1) Torque moment 50...60 Ncm

TECHNISCHE DATEN

| | |
|----------------------|---|
| Ausgangssignal | Output: 0-10 V Load resistance: > 5.0 k-Ohm I-Supply: < 10 mA |
| Speisespannung | 24 (15-30) VDC |
| Messbereich | 0...6bar |
| Überdruck | max. 12 bar |
| Berstdruck | 15 bar |
| Druckanschluss | Relativ - 1.4404 - G ¼" aussen |
| Gerätestecker | EN175301-803-A Mat.: PA |
| Anstiegszeit | typ. 1 ms/ 10 ... 90 % (Nenndruck) |
| Einschaltverzögerung | max. 1,5 s |
| Inklusive | O-Ring: FKM Kabeldose: EN175301-803-A (DIN43650-A) |
| Betriebstemperatur | -25 - +85 °C |
| Medientemperatur | -25 - +125 °C |
| Schutzart | IP65 |
| Feuchtigkeit | max. 95 % relativ |
| Vibration | 4g (10 - 2.000 Hz) |
| Schock | 50 g / 8 ms |
| EMV Schutz | Emission: EN/IEC 61000-6-3 Immunity: EN/IEC 61000-6-2 |

MECHANISCHE DATEN

| | |
|------------------|---|
| Material | Sensor: Keramik, Al2O3 (96%) Druckanschluss: relativ 1.4404 (AISI316L) O-Ring (medienberührend): FKM 70°Sh |
| Anziehdrehmoment | 15 - 20 Nm |
| Gewicht | ca. 110 g |

Änderung der Daten bleibt vorbehalten!

PRESSURE SENSOR 0-10 V

Part No.: 200203

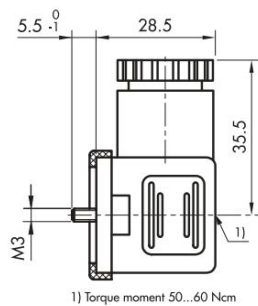
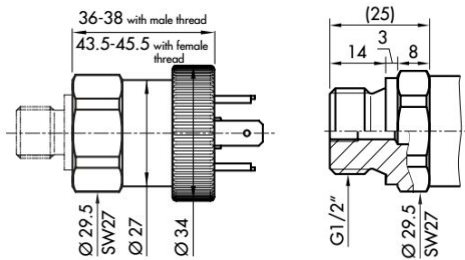
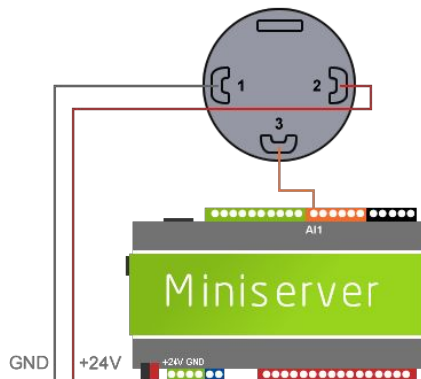
KEY FEATURES

- Sensor: Thick film on ceramic
- Measuring range: 0...6bar
- Output signal: 0-10V

ACCURACY

- NLH @ +25°C (BSL): ± 0.3 % FS typ.

CONNECTION



TECHNICAL DATA

| | |
|-----------------------|---|
| Output signal | Output: 0-10 V Load resistance: > 5.0 kΩ I (supply): < 10 mA |
| Supply voltage | 24 (15...30) VDC |
| Measuring range | 0...6bar |
| Over pressure | 12 bar |
| Burst pressure | 15 bar |
| Sensor | Relative pressure, 1.4404 - G ¼" male |
| Electrical connection | Male electrical plug EN 175301-803-A, Mat. PA |
| Rise time | Typ. 1 ms/ 10...90% nominal pressure |
| Switch-on-delay | Max. 1.5 s |
| Accessories | O-Ring: FKM Pressure peak damping element: Ø 0,3 mm Male electrical plug: EN175301-803-A / DIN43650-A |
| Ambient temperature | -25°C ... 85°C |
| Media temperature | -25°C ... 125°C |
| Protection | IP65 |
| Humidity | Max. 95% relative |
| Vibration | 4g (10...2000 Hz) |
| Shock | 50g / 8 ms |
| EMC Protection | Emission: EN/IEC 61000-6-3 Immunity: EN/IEC 61000-6-2 |

MECHANICAL DATA

| | |
|---------------------|----------------------|
| Sensor | Ceramic, Al2O3 (96%) |
| Pressure connection | 1.4404 (AISI316L) |
| Sealing | FKM 70 Sh |
| Mounting torque | 15...20 Nm |
| Weight | ~ 110g |

Please note technical specifications may change at any time!