

## PRESSURE SENSOR 0-10 V

Part No.: 200154

### KEY FEATURES

- Sensor: Thick film on ceramic
- Measuring range: 0 to 0.3bar
- Output signal: 0-10V

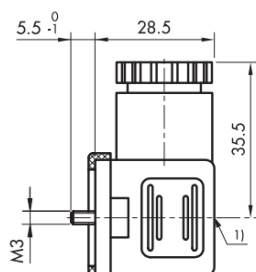
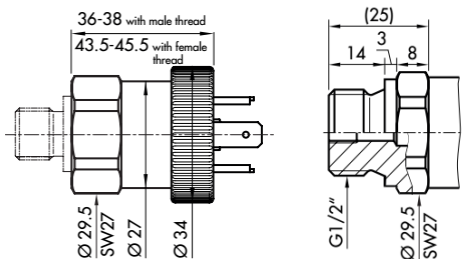
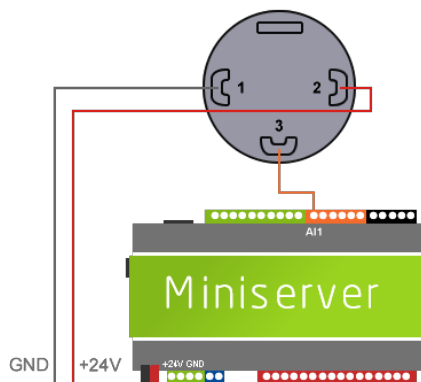
### ACCURACY

- NLH @ +25°C (BSL): ± 0.3 % FS typ.

### APPLICATIONS

- Pool automation
  - Adjustment of the water level
  - Water treatment
- Building automation
  - All applications where a relative pressure of 0-0.3 bar is measured.

### CONNECTION



1) Torque moment 50...60 Ncm

### TECHNICAL DATA

Output signal	Output: 0-10 V Load resistance: > 5.0 kΩ I (supply): < 10 mA
Supply voltage	24 (15...30) VDC
Measuring range	0 ... 0.3 bar
Over pressure	2 bar
Burst pressure	3 bar
Sensor	Relative pressure, 1.4404 G 1/2" male
Electrical connection	Male electrical plug EN 175301-803-A, Mat. PA
Rise time	Typ. 1 ms/ 10...90% nominal pressure
Switch-on-delay	Max. 1.5 s
Accessories	O-Ring: FKM Pressure peak damping element: Ø 0,3 mm Male electrical plug: EN175301-803-A / DIN43650-A
Ambient temperature	-25°C ... 85°C
Media temperature	-25°C ... 125°C
Protection	IP65
Humidity	Max. 95% relative
Vibration	4g (10...2000 Hz)
Shock	50g / 8 ms
EMC Protection	Emission: EN/IEC 61000-6-3 Immunity: EN/IEC 61000-6-2

### MECHANICAL DATA

Sensor	Ceramic, Al <sub>2</sub> O <sub>3</sub> (96%)
Pressure connection	1.4404 (AISI316L)
Sealing	FKM 70 Sh
Mounting torque	15...20 Nm
Weight	~ 110g

Please note technical specifications may change at any time!