

## Technical Specifications

|                                    |  |
|------------------------------------|--|
| <b>Power Supply</b>                | 9...28VDC SELV   |
| <b>Power Consumption</b>           | typ. 150mW, max. 160mW   |
| <b>Ambient Temperature</b>         | -20...55°C / -4...131°F  |
| <b>Temperature Detection Range</b> | -40...125°C / -40...257°F  |
| <b>Humidity Detection Range</b>    | 0...100% r. H.<br>(non condensing)   |
| <b>Air Quality</b>                 | CO2  |
| <b>CO2 Detection Range</b>         | 400...10.000ppm  |
| <b>Safety Rating</b>               | IP20   |
| <b>Maintenance &amp; Cleaning</b>  | This device is free of maintenance and may only be cleaned with a dry cloth. |

# LOXONE

No Gimmicks.  
Real Smart Homes.



LOXONE

# Need Help?

[loxone.com/support](https://loxone.com/support)

# Room Comfort Sensor Tree

Part No.: 100276 (White)

Part No.: 100277 (Anthracite)



**Loxone Electronics GmbH**  
Smart Home 1  
4154 Kollerschlag  
Austria

[loxone.com](https://loxone.com)



## About the product

The Room Comfort Sensor Tree ensures rooms are always comfortable, by measuring temperature, humidity, and air quality using a CO2 sensor. Together with the Miniserver, this information can be used to control, monitor and record statistics for the temperature and air quality in a room.

## Features

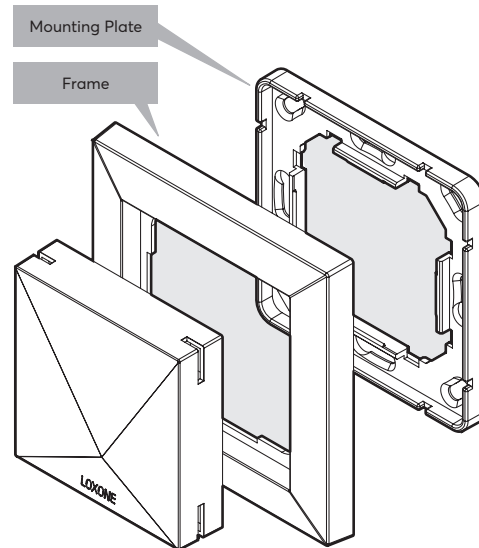
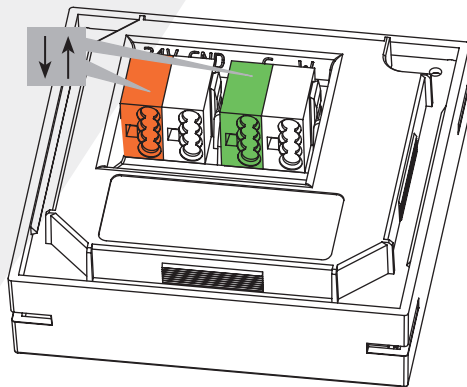
- Temperature sensor
- Humidity sensor
- CO2 sensor

## Installation

Fix the mounting plate to your installation box. Now connect power and Tree communication to the Room Comfort Sensor Tree through the frame. Place the Room Comfort Sensor including the frame on top of the mounting plate and gently push to clip into place.

## Wire Specifications

|                            |  |
|----------------------------|--|
| <b>Wire Diameter</b>       | 0.25...0.8mm <sup>2</sup> / 23...18AWG   |
| <b>Exposed Wire Length</b> | 5mm / 5/32"  |
| <b>Push-In-Technology</b>  | To make a connection, insert the wire; to remove the wire twist and pull at the same time. |



For additional information, declaration of conformity, visit [www.loxone.com/help/room-comfort-sensor-tree](http://www.loxone.com/help/room-comfort-sensor-tree)