

## About the product

The Loxone LED CEILING SPOT TREE RGBW is a downlight with RGB and warm white light outputs. It only works in combination with the Loxone Tree Extension.

## Installation & electrical connection

The installation of this device has to be carried out by a qualified person. The device has to be fitted in accordance with building regulations for electrical and fire safety. If the device is not installed according to manufacturers guidelines the protection of the device may be affected.



For additional information, visit  
[www.loxone.com/help/ledceilingspot](http://www.loxone.com/help/ledceilingspot)



# NEED HELP?

For further information and documentation please  
visit: [www.loxone.com/help/ledceilingspot](http://www.loxone.com/help/ledceilingspot)



**LOXONE** Smart Home

GET IN TOUCH!

[office@loxone.com](mailto:office@loxone.com)

[www.loxone.com/contact](http://www.loxone.com/contact)



# LED CEILING SPOT RGBW TREE

Art. Nr.: 100237

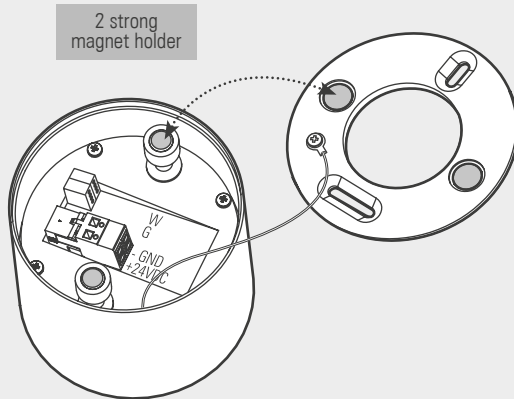


## Technical Specifications

<b>Power Supply</b>	24VDC (-10%...+5%)
<b>Power Consumption Per Channel (max.)</b>	Red: 4,8W Green: 2,0W Blue: 3,2W Warm White: 9,4W
<b>Ambient Temperature</b>	0°C...55°C
<b>Safety Rating</b>	IP20
<b>Dimming</b>	1...100% (400Hz)
<b>Rated Luminous Flux</b>	741.5 typ.
<b>Color Temperature</b>	3000K typ.
<b>Beam Angle</b>	120°
<b>Dimensions</b>	D = 80mm, H = 70mm
<b>Maintenance Of Cleaning</b>	This device is free of maintenance and may only be cleaned with a dry cloth.

## Power Connectors

<b>Wire Diameter</b>	0.2mm <sup>2</sup> ...1.5mm <sup>2</sup>
<b>Max. rated Current</b>	10A
<b>Push-In-Technology</b>	To make connection insert the conductor; to remove the cable push in the orange Bolt.



## Tree Connectors

<b>Wire Diameter</b>	0.25mm <sup>2</sup> ...0.8mm <sup>2</sup>
<b>Exposed Wire Length</b>	5mm
<b>Push-In-Technology</b>	To make connection insert the conductor; to remove the cable twist and pull at the same time.

