

NEED HELP?

For further information and documentation
please visit: www.loxone.com/help/tree



LOXONE Smart Home

GET IN TOUCH!

office@loxone.com

www.loxone.com/contact

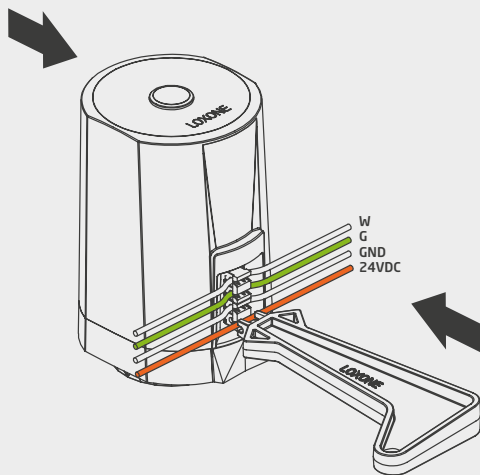
IDC TOOL

Part No.: 100226



Technical Specifications

Material	Polyamid
----------	----------



About the product

The Loxone IDC Tool is a device for installing the Loxone Valve Actuator Tree (Part. No. 100225.)

Safety Instructions

The warranty expires in case of damage caused by disregarding these operation manual or faulty handling! No liability for any consequential damage!



For additional information, visit
www.loxone.com/help/tree