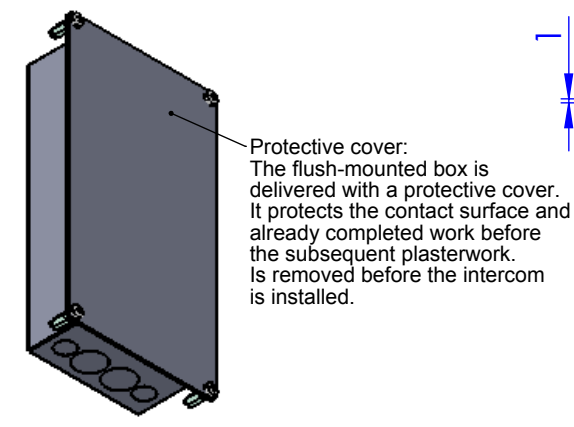


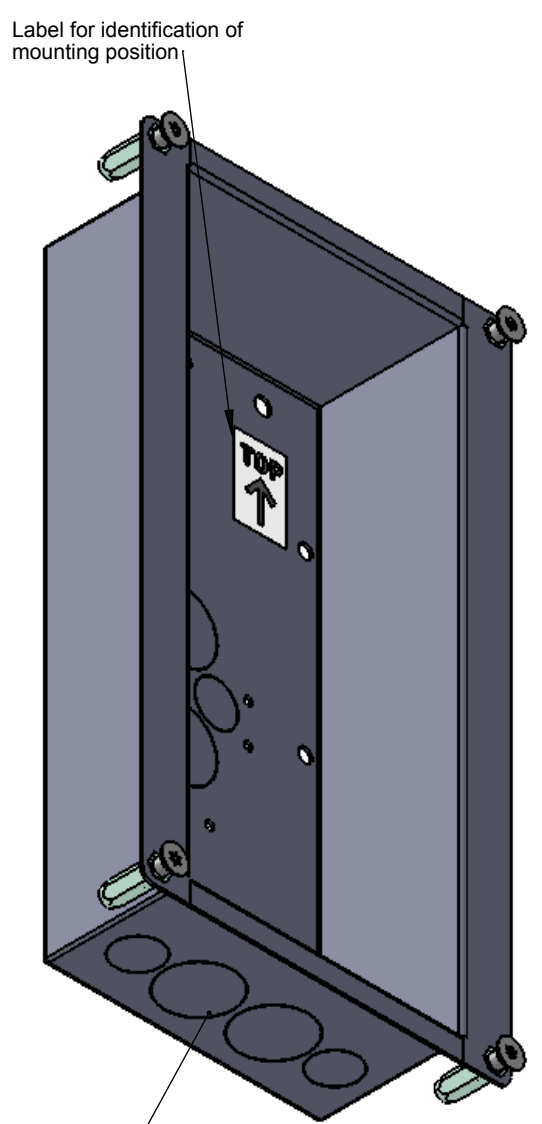
Alle Rechte ausdrücklich vorbehalten. Vervielfältigung oder Nachdruck in irgendeiner Form ohne schriftliche Genehmigung des Eigentümers ist nicht gestattet.

All rights strictly reserved. Reproduction or issue in this part in any form whatever is not permitted without written authority from the proprietor.

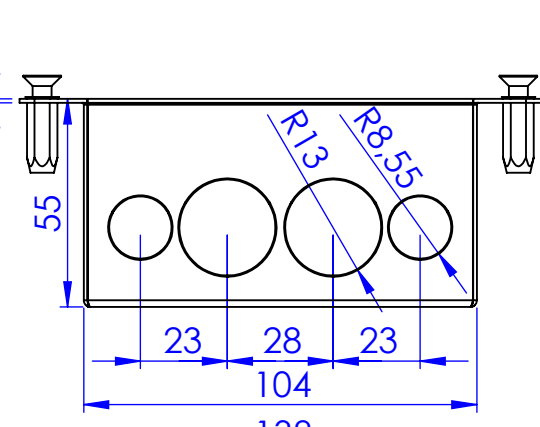
A  
B  
C  
D



Protective cover:  
The flush-mounted box is delivered with a protective cover. It protects the contact surface and already completed work before the subsequent plasterwork. Is removed before the intercom is installed.



Label for identification of mounting position

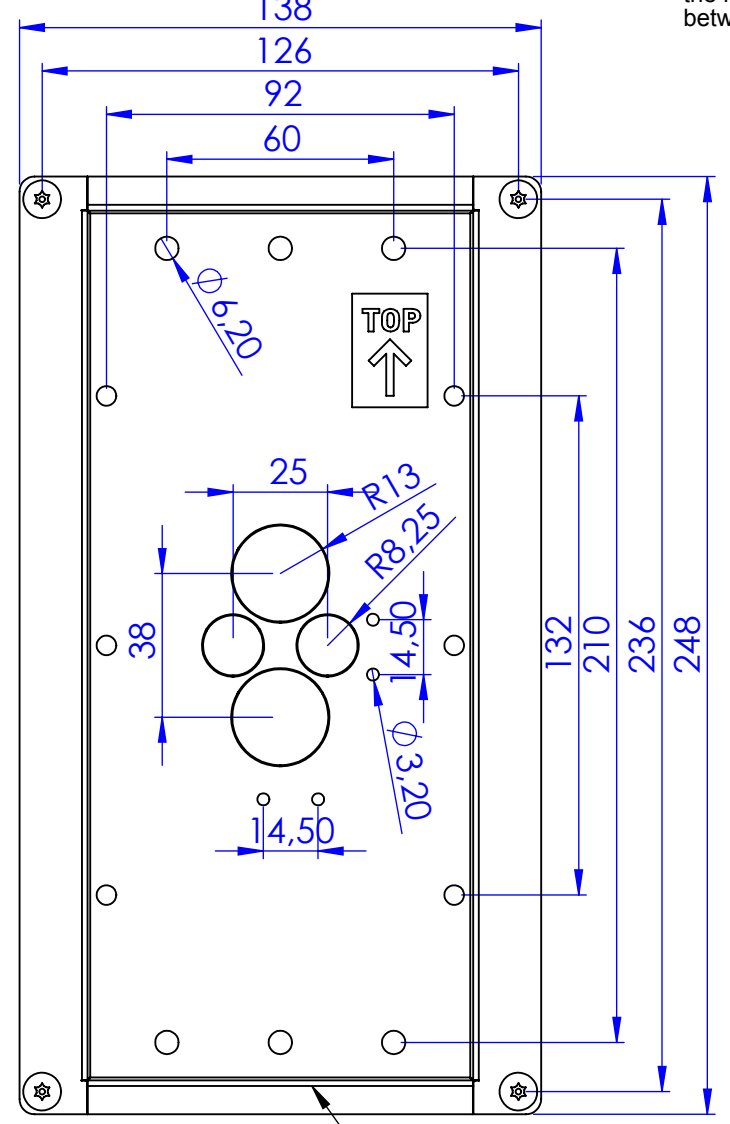


Front edge of sheet metal

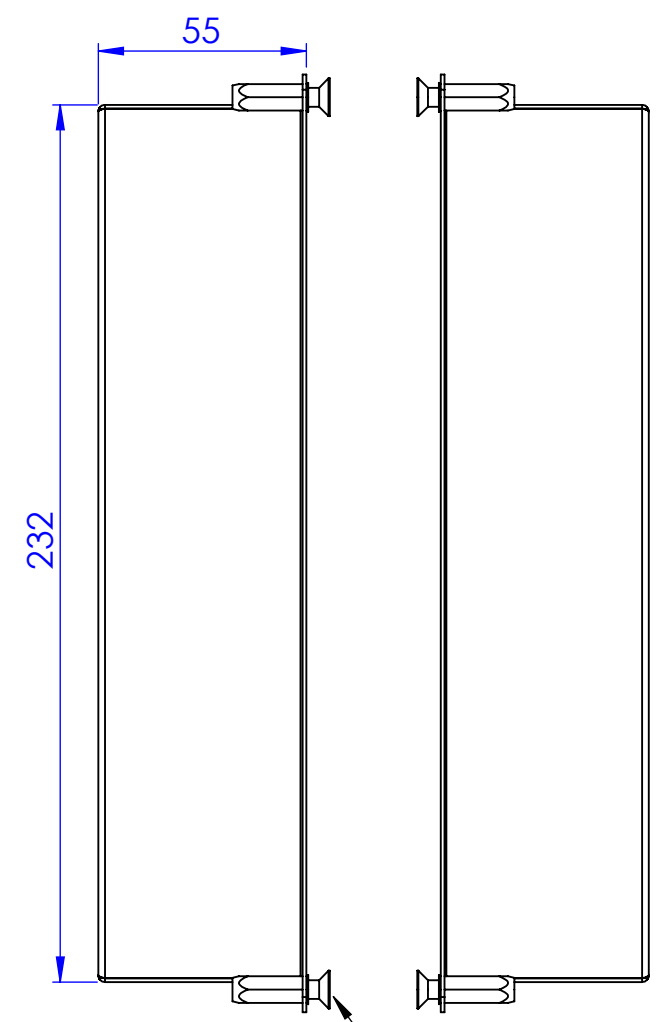
**Installation Instructions:**

Rear side of the bearing surface is to be set at least flush with the final plastering. (Mounting on existing plastered surfaces is possible). The 1.0 mm thick sheet metal will be covered by the mounting frame (FB). The frame can alternatively also be flush-plastered with the front of the sheet metal.

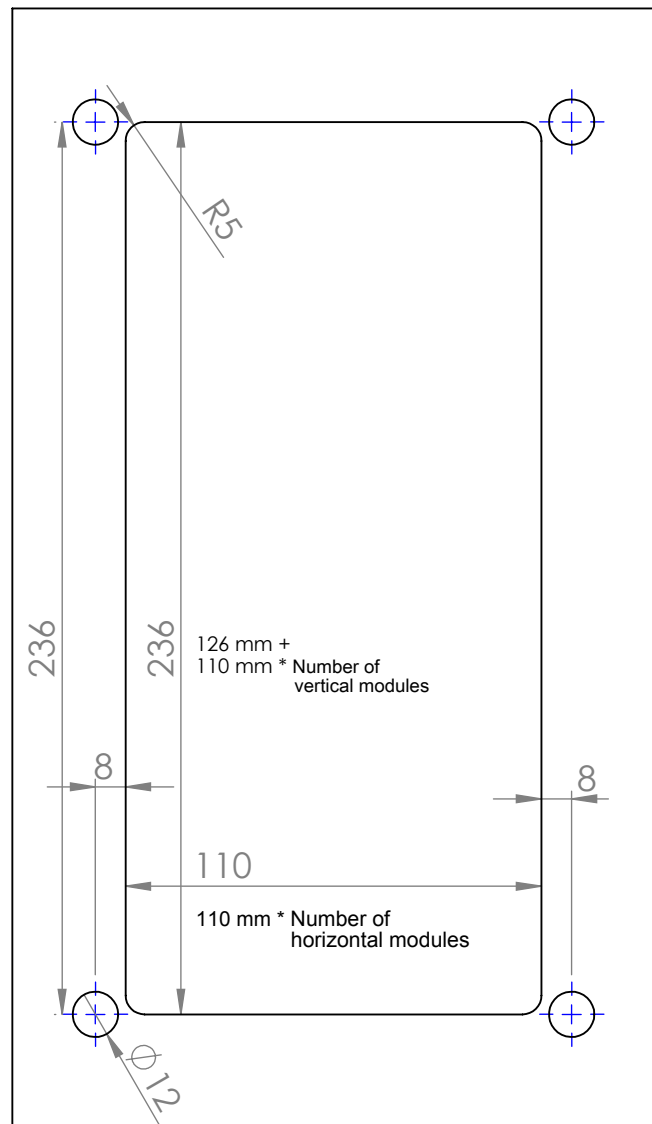
**Sealing by outdoor installation:**  
Around and on the back, the front edge of the sheet metal is to be sealed with acrylic against the plaster surface. The acrylic sealing must be applied that no moisture can get in between the flush-mounted box and the wall into the mounting space. Additionally, the acrylic must be smoothed in a way that the foamed rubber seal of the mounting frame (FB) is resting on an even surface and no moisture can get in between the foamed rubber seal and the flush-mounted box through hollow spaces.



Cable outlet at the bottom!

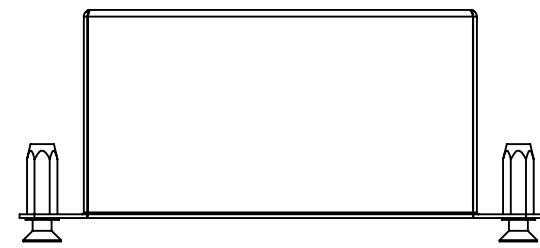


4 screws for the mounting of the video intercom are included in the delivery of the intercom station.



**Drilling template for wall finishing**  
- For chiselling: 45 mm depth

All breakouts for cable entry are closed and designed as predetermined breaking points.  
To open the breaking point, a flat screwdriver is applied at the rim and the breakthrough is made by a hammer stroke.  
Two cable entries 16.5 mm and 26 mm respectively at the bottom and the back.



For wall installation is recommended that the flush-mounted box is bolted together with the underlying wall construction through open holes in the rear panel.

<b>LOXONE</b> Loxone Electronics GmbH			Bezeichnung: <b>Intercom Flush-Mount Box (55mm)</b>		
Datum	22.06.2015	22.06.2015	22.06.2015	Artikel Nummer	200094
Name	Ba	Ba	Ba	Letzte Änderung: 22.06.2015	
	erstellt	geprüft	Freigabe	Durch: Bau	Bl. 1/1